

HYPRO® • SHURFLO®

AGRICULTURE PRODUCTS CATALOG

Pumps, Mini-Bulk Transfer Systems & Accessories



SHURFLO offers a complete line of pumps and accessories

to meet the needs of homeowners, hobbyists, green industry professionals and commercial growers alike.

From our high pressure spray pumps to our economical lawn and garden pumps, you'll find feature-packed products, with the latest innovations and same dependability, that have made SHURFLO the OEMs first choice.



Contents

5059 Series Diaphragm Pump	2
8000 Series Diaphragm Pump	3-5
8007 Series Diaphragm Pump	6
2087 Series Diaphragm Pump	7
2088 Series Diaphragm Pump	7-8
166 Series Diaphragm Pumps	9
Power Twin Pump	9
9300 Series Submersible Pump	10
3000 Series Flexible Impeller Pumps	10
SLV Series Pump	11
Shurflo® Pump Accessories	12
Fittings	13
AG Runner™	14
Mini-Bulk Chemical Transfer System	14
Mini-Bulk Pumps	15
Mini-Bulk Flow Meters	15
Mini-Bulk Kits, Parts, & Accessories	16
Shurflo Pump Dimensions	17-19
Shurflo Pump Parts Kit List	20-24

5059 Series Diaphragm Pumps

5 GPM Automatic-Demand and Bypass Pumps 12 VDC



5059-1310-D011



5059-3611-D011

- Delivers 5.3 GPM [20.1 L/min] free flow
- Field-proven pump head design
- Driven by a 12-volt, Shurflo® built sealed motor
- Self-priming capabilities, up to 8 feet [2.4 m]
- Santoprene® diaphragm for chemical resistance and maximum life
- Viton® valves provide maximum chemical resistance
- Automatic demand versions with built-in pressure switch, set at 60 PSI [4.14 bar]
- Bypass versions set at 90 psi [5.86 bar], for applications where a demand switch is not desired
- Available in the same footprint as other Shurflo® pumps, allowing users to upgrade to a higher performance on existing installations
- Available with male 1/2" NPS or female 1/2" NPT ports

The new Shurflo® field-proven 5 GPM [20.1 L/min] pump delivers 3.8 GPM at 40 PSI [14.4 L/min at 2.75 bar] with current draw of 13 amps. This pump is designed with a Santoprene diaphragm for chemical resistance and maximum life, as well as Viton valves for maximum chemical resistance. Also included is a built-in pressure switch, set at 60 PSI [4.14 bar], which protects the pump in the event of dead-heading. The pump is available in the same footprint as other Shurflo pumps, allowing users to upgrade to a higher performance on existing installations.

Order Information

Part #	Max GPM (L/MIN)	Max PSI (BAR)	Port Size	Max Draw	Packaging
5059-1310-D011	5.3 (20.1)	60 (4.14)	1/2" NPTF	17.0	Brown Box
5059-1311-D011	5.3 (20.1)	60 (4.14)	1/2" NPSM*	17.0	Brown Box
5059-1310-D012	5.3 (20.1)	60 (4.14)	1/2" NPTF	17.0	Retail Box
5059-1311-D012	5.3 (20.1)	60 (4.14)	1/2" NPSM*	17.0	Retail Box
5059-3610-D011	5.3 (20.1)	80 (5.52)	1/2" NPTF	20.9	Brown Box
5059-3611-D011	5.3 (20.1)	80 (5.52)	1/2" NPSM*	20.9	Brown Box
5059-3610-D012	5.3 (20.1)	80 (5.52)	1/2" NPTF	20.9	Retail Box
5059-3611-D012	5.3 (20.1)	80 (5.52)	1/2" NPSM*	20.9	Retail Box

Model	PSI	GPM	BAR	L/min	Amps
5059 Series Switched	0	5.3	0.0	20.1	6.5
	10	4.7	0.7	18.0	9.0
	20	4.3	1.4	16.5	11.8
	30	4.1	2.1	15.5	12.4
	40	3.8	2.8	14.6	14.0
	50	3.6	3.4	13.6	15.4
5059 Series Bypass	60	3.4	4.1	12.9	17.0
	0	5.3	0.0	20.1	6.5
	10	4.7	0.7	17.8	9.0
	20	4.3	1.4	16.3	10.2
	30	4.1	2.1	15.5	12.0
	40	3.4	2.8	12.9	13.5
	50	2.6	3.4	9.8	15.2
	60	1.8	4.1	6.8	16.9
	70	1.1	4.8	4.2	18.5
	80	0.4	5.5	1.5	20.1
90	0.0	6.2	0.0	20.9	

* 1/2" -14 American National Standard Straight Pipe Thread

8000 Series Diaphragm Pumps

Automatic-Demand Pumps 12 VDC



- Self-priming up to 8 vertical feet [2.4m]
- Chemical-resistant materials
- Designed for heavy-duty spraying and fluid transfer applications
- Can run dry without damage
- Built-in check valve

The 8000 Series diaphragm pump the most widely used Shurflo® agriculture pump. Viton® valve material assures maximum chemical resistance. The unique conical valve design delivers high flow rates at maximum discharge pressures, making the 8000 Series the pump of choice for sprayers used on the farm or around the yard. These 12 VDC pumps deliver up to 1.8 GPM [6.8 L/min] providing maximum performance in a wide range of applications.

Order Information

Part #	Description	Max GPM	Max PSI	Port Size	Max Draw
8000-343-236	All Viton Pump: Viton valves, Viton diaphragm, 60 PSI demand switch	1.2	60	3/8" NPT-Female	5.8
8000-541-236*	Lawn and Garden Pump: Viton valves, Santoprene diaphragm, 60 PSI demand switch	1.0	60	3/8" NPT-Female	3.8
8000-542-136	Low Flow Standard Pump: Viton valves, Santoprene diaphragm, 60 PSI demand switch	1.2	60	1/2" MSPT-Male	6.0
8000-543-136	Standard Pump: Viton valves, Santoprene diaphragm, 60 PSI demand switch	1.8	60	1/2" MSPT-Male	7.3
8000-543-236*	Standard Pump: Viton valves, Santoprene diaphragm, 60 PSI demand switch	1.8	50	3/8" NPT-Female	6.4
8000-543-238	High Pressure Pump: Viton valves, Santoprene diaphragm, 100 PSI demand switch	1.8	100	3/8" NPT-Female	8.7
8000-543-138	High Pressure Pump: Viton valves, Santoprene diaphragm, 100 PSI demand switch	1.8	100	1/2" MSPT-Male	8.7
8000-543-936*	Standard Pump w/Wire Harness: Viton valves, Santoprene diaphragm, prewired with two wire molded connectors, 60 PSI demand switch	1.8	50	3/8" NPT-Female	6.4
8000-643-236	Transfer Pump: Buna valves, Geolast® diaphragm, 60 PSI demand switch	1.8	60	3/8" NPT-Female	6.8
8030-813-239	High Pressure Pump: Viton valves, Santoprene diaphragm, 150 PSI demand switch	1.6	150	3/8" NPT-Female	12.0

Model	PSI	BAR	GPM	L/min	Amps
8000-343-236	20	1.4	0.93	3.5	3.9
	40	2.8	0.84	3.2	4.9
	50	3.4	0.80	3.0	5.3
	60	4.1	0.76	2.9	5.8
8000-541-236	20	1.4	0.79	3.0	2.3
	30	2.1	0.75	2.8	2.8
	40	2.8	0.70	2.6	3.2
	60	4.1	0.62	2.3	3.8
8000-542-136	20	1.4	1.11	4.2	4.1
	40	2.8	0.98	3.7	5.1
	50	3.4	0.93	3.5	5.6
	60	4.1	0.90	3.4	6.0
8000-543-136	20	1.4	1.26	4.7	5.0
	40	2.8	1.14	4.3	6.2
	50	3.4	1.08	4.1	6.8
	60	4.1	1.02	3.9	7.3
8000-543-236	30	1.4	1.47	5.5	5.7
	40	2.8	1.41	5.3	5.8
	50	3.4	1.36	5.1	6.4
8000-543-238	20	1.4	1.45	5.5	4.2
	40	2.8	1.31	5.0	5.5
	60	4.1	1.22	4.6	6.5
	100	6.9	0.96	3.6	8.7
8000-543-138	20	1.4	1.45	5.5	4.2
	40	2.8	1.31	5.0	5.5
	60	4.1	1.22	4.6	6.5
	100	6.9	0.96	3.6	8.7
8000-543-936	30	1.4	1.47	5.5	5.7
	40	2.8	1.41	5.3	5.8
	50	3.4	1.36	5.1	6.4
8000-643-236	20	1.4	1.44	5.4	4.1
	40	2.8	1.33	5.0	5.4
	50	3.4	1.27	4.8	6.1
	60	4.1	1.22	4.6	6.8
8030-813-239	20	1.4	1.55	5.9	5.5
	30	2.1	1.49	5.6	6.2
	40	2.8	1.43	5.4	6.8
	80	5.4	1.20	4.5	9.1
	100	6.9	1.10	4.2	10.1
150	9.5	0.83	3.1	12.0	

* Packaged in quantities of 6. For single packs, replace "8000-" with "8009-".

8000 Series Diaphragm Pumps

Bypass Pumps 12 VDC



8000-543-250

- Self-priming up to 8 vertical feet [2.4m]
- Chemical-resistant materials
- Internal bypass
- Can run dry without damage

8000 Series internal bypass pumps are ideal for applications where an automatic demand switch is not desired. Pumps with bypass will continue to run without damage once the bypass pressure is reached. They incorporate a triple chamber design with Viton elastomers to withstand the toughest applications. Perfect for spot sprayers, foam markers and transfer applications where smooth, consistent flow is needed.

Order Information

Part #	Description	Max GPM	Max PSI	Port Size	Max Draw
8000-543-250*	Standard Bypass Pump: Viton valves, Santoprene diaphragm, 45 PSI internal bypass	1.8	50	3/8" NPT-Female	5.5
8000-543-210	Standard Bypass Pump: Viton valves, Santoprene diaphragm, 35 PSI internal bypass	1.3	40	3/8" NPT-Female	5.5
8000-543-220	Standard Bypass Pump: Viton valves, Santoprene diaphragm, 60 PSI internal bypass	1.5	60	3/8" NPT-Female	7.1
8006-543-250	Bypass Pump with Reversed Pumphead: Viton valves, Santoprene diaphragm, 45 PSI internal bypass	1.4	50	3/8" NPT-Female	5.5

Model	PSI	BAR	GPM	L/min	Amps
8000-543-250	20	1.4	1.30	4.9	4.0
	30	2.1	1.11	4.2	4.7
	40	2.8	0.69	2.6	5.2
	50	4.1	0.18	0.7	5.5
8000-543-210	10	0.7	1.28	4.8	3.8
	20	1.4	1.19	4.5	4.4
	30	2.1	1.07	4.0	5.0
	40	2.8	0.05	0.19	5.5
8000-543-220	10	0.7	1.52	5.7	3.8
	20	1.4	1.45	5.5	4.5
	30	2.1	1.39	5.3	5.2
	60	4.1	1.12	4.2	7.1
8006-543-250	10	0.7	1.40	5.3	3.4
	20	1.4	1.30	4.9	4.0
	40	2.8	0.69	2.6	5.2
	50	4.1	0.18	0.7	5.5

* Packaged in quantities of 6. For single packs, replace "8000-" with "8009."

8000 Series Diaphragm Pump

No Control Pump 12 VDC



8000-543-290

- Self-priming up to 8 vertical feet [2.4m]
- Chemical-resistant materials
- 1/4" adapter for external bypass hook-up
- Can run dry without damage

Designed to accommodate applications that have external pressure valves plumbed into the system.

Order Information

Part #	Description	Max GPM	Max PSI	Port Size	Max Draw
8000-543-290	Front Adapter Pump: Viton valves, Santoprene diaphragm, 1/4" FNPT adapter mounted on switch ports	1.8	100	3/8" NPT-Female	8.8

Model	PSI	BAR	GPM	L/min	Amps
8000-543-290	20	1.4	1.26	4.7	5.0
	40	2.8	1.14	4.3	6.2
	60	4.1	1.02	3.9	7.3
	80	5.5	0.93	3.5	8.0
	100	6.9	0.84	3.2	8.8

8000 and 8020 Series Diaphragm Pumps

Bypass and Automatic-Demand Pumps 115 VAC



- Self-priming up to 8 vertical feet [2.4m]
- Built-in check valve
- Chemical-resistant materials
- Corded pump optional
- Can run dry without damage

These Shurflo® 8000 and 8020 Series demand pumps provide the same reliability as the 12 VDC version, except in a 115 VAC capacity. They are ideal in agricultural applications that require high pressure with flow rates up to 1.6 GPM [6.1 L/min] and low amp draw. They can be mounted in any position, are compact, and are designed for easy maintenance.

Order Information - Bypass 115 VAC

Part #	Description	Max GPM	Max PSI	Port Size	Max Draw
8000-533-250	Bypass Pump: Viton valves, Santoprene diaphragm, 45 PSI Internal Bypass	1.4	50	3/8" NPT-Female	0.54
8020-503-250	Bypass Pump with Power Cord: Viton valves, Santoprene diaphragm, 45 PSI Internal Bypass	1.5	40	3/8" NPT-Female	0.56

Bypass 115 VAC

Model	PSI	BAR	GPM	L/min	Amps
8000-533-250	10	0.7	1.36	5.1	0.34
	30	2.1	1.05	4.0	0.46
	40	2.8	0.65	2.5	0.51
	50	3.4	0.19	0.7	0.54
8020-503-250	10	0.7	1.40	5.3	0.37
	20	1.4	1.30	4.9	0.44
	30	2.1	1.10	4.2	0.50
	40	2.8	0.80	3.0	0.56

Order Information - Demand 115 VAC

Part #	Description	Max GPM	Max PSI	Port Size	Max Draw
8000-533-236	Standard Demand Pump: Viton valves, Santoprene diaphragm, 60 PSI demand switch	1.4	60	3/8" NPT-Female	0.64
8020-513-236	Standard Demand Pump: Viton valves, Santoprene diaphragm, 60 PSI demand switch with 6 ft power cord	1.5	60	3/8" NPT-Female	0.57
8020-833-238	High Pressure Pump with 6 ft. Power Cord: Viton valves, Santoprene diaphragm, 100 PSI demand switch	1.6	100	3/8" NPT-Female	0.95
8030-863-239	High Pressure Pump: Viton valves, Santoprene diaphragm, 150 PSI demand switch	1.5	150	3/8" NPT-Female	1

Demand 115 VAC

Model	PSI	BAR	GPM	L/min	Amps
8000-533-236	20	1.4	1.15	4.3	0.46
	40	2.8	0.97	3.7	0.55
	50	3.4	0.91	3.4	0.60
	60	4.1	0.85	3.2	0.64
8000-513-236	20	1.4	1.15	4.8	0.40
	40	2.8	0.96	4.1	0.49
	50	3.4	0.90	3.6	0.54
	60	4.1	0.84	3.5	0.57
8020-833-238	20	1.4	1.32	5.0	0.45
	40	2.8	1.14	4.3	0.58
	60	4.1	1.07	4.0	0.70
	100	6.9	0.91	3.4	0.95
8030-863-239	20	1.4	1.24	4.7	0.45
	60	4.1	1.04	3.9	0.66
	120	8.3	0.77	2.9	0.92
	150	9.7	0.63	2.4	1.00

8007 Series Diaphragm Pumps

Bypass and Automatic-Demand 12 VDC with Electrical Package



- Self-priming up to 8 vertical feet [2.4m]
- Chemical-resistant materials
- Internal bypass option
- Can run dry without damage
- Built-in on/off switch included
- 2 pin connector on power leads
- Available with or without integral fuse
- Rocker switch protected from the elements by a clear boot

These models include an aesthetically-pleasing molded assembly, housing a rocker-type manual switch with international on/off switch symbols. Wiring is neatly routed into the molded assembly through form fitting entries and strain relieved inside the housing. Fused versions come with an automotive-type fuse housed under a snug fitting cap marked "fuse." Non-fused versions have a raised section.

Order Information - Bypass 12 VDC

Part #	Description	Max GPM	Max PSI	Port Size	Max Draw
8007-543-850	Bypass Pump w/Electrical Package: Viton valves, Santoprene diaphragm, 45 PSI bypass, Manual on/off switch 2 pin connector and fuse	1.8	50	3/8" NPT-Female	5.5
8007-593-850	Bypass Pump w/Electrical Package: Viton valves, Santoprene diaphragm, 45 PSI bypass, Manual on/off switch 2 pin connector	1.8	50	3/8" NPT-Female	5.5

Bypass 12 VDC

Model	PSI	BAR	GPM	L/min	Amps
8007-543-850	10	0.7	1.40	5.3	3.4
	20	1.4	1.30	4.9	4.0
	30	2.1	1.11	4.2	4.7
	40	2.8	0.69	2.6	5.2
	50	3.4	0.18	0.7	5.5
8007-593-850	10	0.7	1.40	5.3	3.4
	20	1.4	1.30	4.9	4.0
	30	2.1	1.11	4.2	4.7
	40	2.8	0.69	2.6	5.2
	50	3.4	0.18	0.7	5.5

Order Information - Demand 12 VDC

Part #	Description	Max GPM	Max PSI	Port Size	Max Draw
8007-591-236	Demand Pump w/Electrical Package: Viton valves, Santoprene diaphragm, 60 PSI Demand Switch, Manual on/off switch 2 pin connector	1.0	50	3/8" NPT-Female	3.7
8007-593-836	Viton valves, Santoprene diaphragm, 60 PSI Demand Switch, Manual on/off switch 2 pin connector	1.8	50	3/8" NPT-Female	6.4
8007-543-836	(8007-543-836 includes fuse)	1.8	50	3/8" NPT-Female	6.4

Demand 12 VDC

Model	PSI	BAR	GPM	L/min	Amps
8007-591-236	30	2.1	0.74	2.8	2.9
	40	2.8	0.69	2.6	3.2
	50	3.4	0.65	2.5	3.7
8007-593-836	30	2.1	1.47	5.5	5.3
	40	2.8	1.41	5.3	5.8
	50	3.4	1.36	5.1	6.4
8007-543-836	30	2.1	1.47	5.5	5.3
	40	2.8	1.41	5.3	5.8
	50	3.4	1.36	5.1	6.4

2087 Series Diaphragm Pump

Automatic-Demand Pump 12 VDC with Electrical Package



- Self-priming up to 12 vertical feet [3.7m]
- Chemical-resistant materials
- Can run dry without damage
- Rocker switch protected from the elements by a clear boot
- Built-in on/off switch included
- 2 pin connector on power lead

These models include an aesthetically-pleasing molded assembly, housing a rocker-type manual switch with international on/off switch symbols. Wiring is neatly routed into the molded assembly through form fitted entries and strain relieved inside the housing.

Order Information

Part #	Description	Max GPM	Max PSI	Port Size	Max Draw
2087-593-135	Standard Demand Pump: Viton valves, Santoprene diaphragm, 45 PSI demand switch	3	50	1/2" MSPT* Male	8

* 1/2" - 14 National American Straight Pipe Thread

Model	PSI	BAR	GPM	L/min	Amps
2087-593-135	10	0.7	2.80	10.6	5.3
	20	1.4	2.69	10.2	5.5
	30	2.1	2.36	8.9	6.7
	40	2.8	2.05	7.8	7.7
	50	3.4	1.42	5.4	8.0

2088 Series Diaphragm Pumps

Automatic-Demand Pumps 12 VDC



- Self-priming up to 12 vertical feet [3.7m]
- Chemical-resistant materials
- Can run dry without damage
- Automatic demand
- Built-in check valve (varies by model) prevents back flow of fluid into the solution tank
- Continuous duty motor on fin-cooled version

Shurflo® 2088 Series diaphragm pumps deliver reliable performance in high flow, moderate pressure applications. They are used in a variety of spot spraying, multi-tip spraying and fertilizer drip applications that require flows of up to 3.6 GPM [13.6 L/min]. They are available in a variety of chemical-resistant materials.

Order Information

Part #	Description	Max GPM	Max PSI	Port Size	Max Draw
2088-313-145	Standard Pump: with fin cooled motor Viton valves, Santoprene diaphragm, 45 PSI demand switch	3.6	40	1/2" MSPT* Male	9.5
2088-443-144	Standard Pump: Santoprene valves, Santoprene diaphragm, 45 PSI demand switch	3.5	45	1/2" MSPT* Male	9.1
2088-343-135†	Standard Pump: Viton valves, Santoprene diaphragm, 45 PSI demand switch	3	40	1/2" MSPT* Male	7.7

** 1/2" - 14 National American Straight Pipe Thread

† Packaged in quantities of 6. For single pack, replace "135" with "435."

Model	PSI	BAR	GPM	L/min	Amps
2088-313-145	10	0.7	3.09	11.7	6.4
	20	1.4	2.82	10.7	7.6
	30	2.1	2.49	9.4	8.7
	40	2.8	2.15	8.1	9.5
2088-443-144	10	0.7	2.83	10.7	5.8
	20	1.4	2.56	9.7	7.0
	30	2.1	2.31	8.7	8.0
	40	2.8	2.02	7.6	9.1
2088-343-135	10	0.7	2.80	10.6	5.3
	20	1.4	2.69	10.2	5.5
	30	2.1	2.36	8.9	6.7
	40	2.8	2.05	7.8	7.7

2088 Series Diaphragm Pumps

No Control Pumps 12 VDC



2088-343-500

- Self-priming up to 12 vertical feet [3.7m]
- Chemical-resistant materials
- Can run dry without damage
- Built-in check valve (may vary by models) prevents back flow of fluid through the pump

Shurflo® 2088 Series diaphragm pumps deliver reliable performance in high flow, moderate pressure applications. They are used in a variety of spraying and transferring applications that require flows of up to 3.3 GPM [12.5 L/min]. They are available in a variety of chemical-resistant materials. They can be mounted in any position and are designed for easy maintenance.

Order Information

Part #	Description	Max GPM	Max PSI	Port Size	Max Draw
2088-343-170	Front Adapter Pump with Electrical Package: Viton valves, Santoprene diaphragm, 1/4" FPT adapter mounted on switch port, built-in on/off power switch, fuse holder pre-wired w/2-wire molded connector, no demand switch	3.3	50	1/2" MSPT* Male	9.1
2088-343-500	Front Adapter Pump: Viton valves, Santoprene diaphragm, 1/4" FPT adapter mounted on switch port, no demand switch	3.3	50	1/2" MSPT* Male	10.1

* 1/2" - 14 National American Straight Pipe Thread

Model	PSI	BAR	GPM	L/min	Amps
2088-343-170	10	0.7	3.00	11.3	5.0
	30	2.1	2.38	9.0	7.5
	40	2.8	2.14	8.1	8.3
	50	3.4	1.86	7.0	9.1
2088-343-500	10	0.7	2.79	10.6	5.8
	30	2.1	2.26	8.6	8.3
	40	2.8	1.99	7.5	9.3
	50	3.4	1.69	6.4	10.1

2088 Series Diaphragm Pumps

Automatic-Demand Pumps 115 VAC



2088-394-144

- Self-priming up to 12 vertical feet [3.7m]
- Chemical-resistant materials
- Can run dry without damage
- Automatic demand
- Built-in check valve (may vary by model) prevents back flow of fluid into the solution tank

These Shurflo® 2088 Series pumps offer the same reliability as the 12 VDC version except in 115 VAC capacity. They are used in a variety of spot spraying, mini-bulk transfer and fertilizer applications that require flows of up to 3.2 GPM [12.1 L/min]. They are available in a variety of chemical-resistant materials.

Order Information

Part #	Description	Max GPM	Max PSI	Port Size	Max Draw
2088-394-144	Standard Pump with 6' power cord: Viton valves, Santoprene diaphragm, 45 PSI demand switch	3	40	1/2" MSPT* Male	0.7
2088-394-154	Standard Pump: Viton valves, Santoprene diaphragm, 45 PSI demand switch	3.2	40	1/2" MSPT* Male	0.98

* 1/2" - 14 National American Straight Pipe Thread

Model	PSI	BAR	GPM	L/min	Amps
2088-394-144	10	0.7	2.40	9.1	.55
	20	1.4	2.20	8.3	.60
	30	2.1	1.90	7.2	.65
	40	2.8	1.60	6.0	.70
2088-394-154	10	0.7	2.71	10.2	.65
	20	1.4	2.41	9.1	.77
	30	2.1	2.10	8.0	.89
	40	2.8	1.84	7.0	.98

166 Series Diaphragm Pumps

Air-Driven Pumps



166-200-36

- 2 chamber dual diaphragm
- Positive displacement
- On-demand operation
- Chemical-resistant polypropylene body
- 30 to 60 PSI [2.1-4.1 bar]

The Shurflo® 166 air-operated demand pumps employ a dual diaphragm design, with a patented fast action switching mechanism allowing for consistent flow and pressure. They are built for the toughest pumping applications and are available in a variety of elastomers that allow them to be compatible with most caustic or acidic fluids. Ideal for chemical transfer, liquid fertilizer injection and agricultural spraying.

Order Information

Part #	Description	Max GPM	Max PSI
166-200-36	Viton valves and diaphragm	0.6	30-60
166-200-46	Buna valves and diaphragm	0.6	30-60
166-200-56	EPDM valves and diaphragm	0.6	30-60
166-200-57	Santoprene valves and diaphragm	0.6	30-60

Power Twin Pumps

Demand Pumps 12 VDC



4211-035

- Up to 6.25 GPM [23.7 L/min]
- Thermally-protected motor with heat sink
- Self-priming
- Quiet, balanced operation
- Long-life pressure switch
- Intake/Discharge manifold optional

Take all the performance and features of the time-tested 2088 series, double it, and the result is the high-flow Power Twin. Delivers an open flow of 6.25 GPM [23.7 L/min] at a mere 8.7 amps. At 40 PSI [2.8 bar], it delivers 3.5 GPM [13.2 L/min] and draws only 17.2 amps. One of the most efficient high-flow self-priming pumps available today, the Power Twin is excellent for transferring, light-duty spraying, and use as a 1:1 proportioning pump.

Order Information

Part #	Description	Max GPM	Max PSI	Port Size	Max Draw
4111-035	Viton valves, Santoprene diaphragm, 45 PSI demand switch, manifold with 5/8" barb ports	6.25	40	1/2" MPT	17.2
4211-035	Viton valves, Santoprene diaphragm, 45 PSI demand switch	6.25	40	1/2" MPT	17.2
4311-035	Viton valves, Santoprene diaphragm, 45 PSI demand switch, manifold with 3/4" barb ports	6.25	40	1/2" MPT	17.2
94-389-00	Manifold Kit 5/8" barb (2) per pump				
94-389-01	Manifold Kit 3/4" barb (2) per pump				

Model	PSI	BAR	GPM	L/min	Amps
4111-035	0	0	6.25	23.5	8.7
	10	0.7	5.7	21.6	12.2
	20	1.4	5.0	19.0	14.5
	30	2.1	4.3	16.2	16.1
	40	2.8	3.5	13.2	17.2
4211-035	0	0	6.25	23.5	8.7
	10	0.7	5.7	21.6	12.2
	20	1.4	5.0	19.0	14.5
	30	2.1	4.3	16.2	16.1
	40	2.8	3.5	13.2	17.2

9300 Series Submersible Pump

24 VDC



- Fits wells 4 inches [10.2 cm] in diameter and larger
- Accepts a variety of jacketed cables from your power source
- Runs dry without damage
- Corrosion-proof housing with stainless steel fasteners
- Long-life, 24 VDC operation
- Quick disconnect for easy installation and service

The Shurflo® 9300 series pump offers a solution to your remote water pumping needs. It's rugged, durable and built to last. This pump delivers a steady 1.0 GPM [3.8 L/min] operating at 100 PSI [6.9 bar] maximum at 230 feet [70.1m]. It incorporates a unique, waterblocked cable connector that is impervious to water leakage and condensation problems preventing waterwicking. Great for applications in livestock watering, irrigation, ponds, islands, remote homes and cabins.

902-100 Controller Features:

- Operates on 24 VDC
- Increases daily water output up to 30%
- System starts pumping earlier in the morning
- System stops pumping later in the evening
- Protects pump from low or high volume conditions
- Terminals for float switch

Boost your DC solar pump's performance by up to 30%. Controller optimizes your solar water pumping system by translating the current and voltage available from your photovoltaic panels, into a combination that is better matched to that needed by the pump. With the optional float switch installed, the controller will automatically stop pumping when the reservoir is full.

902-200 Controller Features:

Includes all 902-100 features plus:

- Switch selectable for 12 VDC or 24 VDC operation
- Pump On / Off switch
- Watertight enclosure and cable inlets
- Includes water level monitor mode with probes and cable

The versatile 902-200 has all the features of the 902-100 and more. This controller is switch selectable for 12 VDC or 24 VDC operation and includes a manual on/off switch for easy pump maintenance. The controller comes with high / low water level sensors so the pump will not run when the well water is too low. Weather-proof enclosure.

Order Information

Part #	Description	Max GPM	Max Draw
9325-043-101	EPDM valves, Santoprene diaphragm	1.8	4.1

Model	Description	Max. Array Input Voltage		Min. Startup Voltage		Shutdown Voltage	Max. Output Current
		12V	24V	12V	24V		
902-100 (LCB-GO)	9300 DC Pump Controller	45 V	N/A	25 V	N/A	28 V	5 Amps
902-200 (LCB-G)	9300 DC Pump Controller	45 V	N/A	25 V	12.5 V	28 V	7 Amps

Model	Vertical Lift				Solar Array (Watts)	Current (Amps)
	Feet	Meters	GPH	LPH		
9325-043-101	20	6.1	117	443	58	1.5
	60	18.3	109	413	78	2.1
	100	30.5	103	390	99	2.6
	140	42.7	99	375	115	3.1
	180	54.9	93	352	135	3.6
	230	70.1	82	310	155	4.1

3000 Series Flexible Impeller Pump

12 VDC



- Self-priming to 7.5 feet [2.3m] vertical
- Maximum head of 28 feet [8.5m] [12 PSI [.83 bar]]
- Liquid temps from 40° F to 185° F [4.4°C to 85°C]
- Thermal overload protection
- Stainless steel shaft
- BUNA-N impeller and lip seal
- Built-in reverse switch and 8 foot [2.4m] cable with battery clips

The 3000 Series is suitable for a variety of uses from pumping water to changing oil in cars, trucks and farm equipment. Pumps incorporate thermal overload protection.

Order Information

Part #	Max GPM	Max PSI	Max Draw
3000-350	2.5	10	7.4

Model	PSI	BAR	Dischg. Ft of Head	GPM	L/min	Amps
3000-350	0	0.0	0.0	3.8	14.4	6.5
	5	0.3	11.5	3.4	12.9	7.1
	10	0.7	23.0	2.5	9.5	7.4

Not intended for use with flammable liquids or in flammable environments.

SLV Series Diaphragm Pumps

Demand Pumps



SLV10-AA48
(Front and Back Shown)

- Automatic demand; 25 PSI [1.72 bar] on/40 PSI [2.8 bar]
- Self-priming up to 2.5 vertical feet [.76 m]
- Long-life pressure switch
- Thermally-protected ball bearing motor with splash-proof housing
- Internal fan radiates heat; external heat sink not required
- Integral on/off switch optional

The Shurflo® SLV is ideal for low volume, intermittent-duty applications requiring a compact pump with low power consumption. Unique design has no metals in the fluid path for maximum chemical resistance. Pump features include automatic demand operation and elastomers that handle a wide variety of chemicals. Perfect for low volume spraying and transfer. Cost effective yet with high performance and reliability; the SLV offers tremendous value.

Order Information - Automatic Demand Pumps 12 VDC

Part #	Description	Max GPM	Max PSI	Port Size	Max Draw
SLV10-AA40	Viton valves, Santoprene diaphragm, 40 PSI demand switch, Integral on/off switch included	1	30	3/8" Barb	2.5
SLV10-AA41	Viton valves, Santoprene diaphragm, 40 PSI demand switch	1	30	3/8" Barb	2.5
SLV10-AA48*	Viton valves, Santoprene diaphragm, 40 PSI demand switch, Manual switch and 2 pin connector 12VDC	1	30	3/8" Barb	2.5

* Packaged in quantities of 6, for single pack, add suffix "AB" (i.e.: SLV10-AA48-AB).

Automatic Demand Pumps 12 VDC

Model	PSI	BAR	GPM	L/min	Amps
SLV10-AA40	3	0.2	0.90	3.4	1.8
	10	0.7	0.73	2.8	2.1
	20	1.4	0.62	2.3	2.3
	30	2.1	0.49	1.9	2.5
SLV10-AA41	3	0.2	0.90	3.4	1.8
	10	0.7	0.73	2.8	2.1
	20	1.4	0.62	2.3	2.3
	30	2.1	0.49	1.9	2.5
SLV10-AA48	3	0.2	0.90	3.4	1.8
	10	0.7	0.73	2.8	2.1
	20	1.4	0.62	2.3	2.3
	30	2.1	0.49	1.9	2.5

Order Information - Automatic Demand Pump 24 VDC

Part #	Description	Max GPM	Max PSI	Port Size	Max Draw
SLV10-AB41	Viton valves, Santoprene diaphragm, 40 PSI demand switch	1	30	3/8" Barb	1.23

Automatic Demand Pump 24 VDC

Model	PSI	BAR	GPM	L/min	Amps
SLV10-AB41	3	0.2	0.90	3.4	0.89
	10	0.7	0.73	2.8	1.00
	20	1.4	0.62	2.3	1.15
	30	2.1	0.49	1.9	1.23

Order Information - No Control Transfer Pump 12 VDC

Part #	Description	Max GPM	Max PSI	Port Size	Max Draw
SLV10-HA01	Viton valves, Geolast diaphragm, No demand switch	1	30	3/8" Barb	2.5

No Control Transfer Pump 12 VDC

Model	PSI	BAR	GPM	L/min	Amps
SLV10-HA01	3	0.2	0.90	3.4	1.8
	10	0.7	0.73	2.8	2.1
	20	1.4	0.62	2.3	2.3
	30	2.1	0.49	1.9	2.5

Accessories

Drill Pump



- Self-priming to 8 feet [2.4m] vertical
- Pumps liquids 40° F to 120° F [4.4° C to 48.8° C]
- BUNA impeller and seals
- 1/4" [6.35 mm] shaft fits standard drills

Attaches to any standard 1/4" [6.35 mm] drill motor. Ideal for pumping water from appliances, aquariums, water beds, sinks, toilets or drums. Includes a 1/4" [6.35 mm] oil probe that easily allows the transfer of oil from cars, trucks, lawn and garden equipment. Not intended for use with flammable liquids or in flammable environments.

Order Information

Part #	Max GPH	Port Size	Shaft Size	L/hr
3010-000	200	3/4" (M) GHT	1/4"	757

Oil Change System



- Complete with necessary tubing and oil storage container
- Built-in reversible switch and 8 foot cable with battery clips
- Thermal overload protection

Makes a messy job clean and easy. Simply install the oil probe in the engine oil dipstick tube, attach the battery clips, and flip the switch. Oil is safely removed and stored in the easy to carry container. Oil should be heated to 140°F for maximum pump efficiency.

Order Information

Model	Description
8050-305-426	Oil Change System

Accumulator Tank, Heat Sink



Accumulator Tank

Heat Sink

Order Information

Model	Description
181-101	Accumulator Tank: 24 oz. total capacity (liquid and air), pre-pressurized to 20 PSI [1.4 bar], [0 to 100 PSI [6.9 bar] range of adjustment], Santoprene bladder, mounting bracket. 1/2" (F) NPT Female ports, NSF approved.
34-007	5" [12.7 cm] Heat Sink to assist cooling in Continuous-duty applications
34-006	3" [7.6 cm] Heat Sink to assist cooling in Continuous-duty applications

Bowl-Style Strainers



Order Information

Model	Description
255-223	50 Mesh screen, 1/2" Barb Inlet x 1/2 NPSM Female Outlet
255-313	50 Mesh screen, 1/2" NPSM Male Inlet x 1/2 NPSM Female Outlet, EPDM O-ring
255-323	50 Mesh screen, 1/2" Barb Inlet x 1/2 NPSM Female Outlet, EPDM O-ring
255-646	50 Mesh screen, 3/8" x 3/8" MNPT Poly/Nylon, Viton O-ring
255-246	50 Mesh screen, 3/8" x 3/8" MNPT Poly/Nylon, Viton O-ring
255-568	50 Mesh screen, 3/8" x 3/8" MNPT Poly/Nylon, EPDM O-ring
255-613	50 Mesh screen, 1/2" NPSM Male Inlet x 1/2 NPSM Female Outlet, Viton O-ring
255-623	50 Mesh screen, 1/2" Barb Inlet x 1/2 NPSM Female Outlet, Viton O-ring
255-413	50 Mesh screen, 1/2" NPSM Male Inlet x 1/2 NPSM Female Outlet, Buna O-ring

Fittings

Barb Tee



Part #	Description
8-126-00	1/2" [12mm] Barb Tee - Polypro

Barb Tee X Pipe



Part #	Description
T3812T	3/8" [10mm] MNPT-Male x 1/2" Barb Tee - Nylon
3T3812T	3/8" [10mm] MNPT-Male x 1/2" Barb Tee - Polypro

Swivel Hex Wingnut Straight



Part #	Description
234-2916	1/2" [12mm] NPT-Female x 3/8" [10 mm] Barb - Polypro
234-2926	1/2" [12mm] NPT-Female x 1/2" [12 mm] Barb - Polypro
234-2936	1/2" [12mm] NPT-Female x 5/8" [16 mm] Barb - Polypro
234-2946	1/2" [12mm] NPT-Female x 3/4" [19 mm] Barb - Polypro

Swivel Hexnut Elbow



Part #	Description
234-3926	1/2" [12mm] NPT-Female x 1/2" [12 mm] Barb Swivel Hexnut Elbow - Polypro
234-3916	1/2" [12mm] NPT-Female x 3/8" [10 mm] Barb Swivel Hexnut Elbow - Polypro
234-3946	1/2" [12mm] NPT-Female x [10 mm] Barb Swivel - Polypro 3/4" [19mm]
234-3936	1/2" [12mm] NPT-Female x [12 mm] Barb Swivel - Polypro 5/8 [16mm]

Barbed X Pipe Straight



Part #	Description
8-005-01	3/8" [10mm] NPT-Male x 3/8" [10 mm] Barb - Polypro
8-007-01	3/8" [10mm] NPT-Male x 1/2" [12 mm] Barb - Polypro
8-021-01	1/2" [12mm] NPT-Male x 1/2" [12 mm] Barb - Polypro

Barbed X Pipe Elbow



Part #	Description
8-006-01	3/8" [10mm] NPT-Male x 3/8" [10 mm] Barb
3EL3812	3/8" [10mm] NPT-Male x 1/2" [12 mm] Barb

Barbed X Pipe Elbow



8-145-00



8-150-01



8-205-00

Part #	Description
8-145-00	3/8" [10mm] NPT-Male x 1/2" [12 mm] NPT-Male - Polypro
8-150-01*	1/2" [12mm] NPT-Female x 3/4" [19 mm] GHT (M) - Nylon
8-205-00	1/2" [12mm] NPT-Female x 1/2" [12 mm] NPT-Male - Aceryl

*Fitting available only in nylon - CHECK COMPATIBILITY.

AG Runner™



The Shurflo® AG Runner Transfer Pump System is designed to safely and accurately transfer bulk chemicals to the point of use.

Features include:

- Industry leading pump
- Portable
- Can be used with a variety of bulk containers
- Built for rugged service with a heavy-duty welded frame
- Simple and accurate flow indicator

Order Information

Part #	Flow Meter Type	Description
SF-1100-PTS	Pump-mounted (FM-1100)	Chemical Transfer Pump with 12 vdc motor, 20 ft. cable, alligator clips and in-line fuse (Part # SF-1100), electronic flow meter, 1-in. npt x 12 ft. Epdm discharge hose with ball valve/spout, and 1-in. npt x 12 ft. Epdm inlet hose with 1-in. elbow/ball valve/fitting assembly with locking cam arms
SF-1100-PTSi	Inline (FM-1100i)	
SF-1100-PTSi-00	No Flow Meter	
SF-1105-PTS	Pump-mounted (FM-1100)	
SF-1105-PTSi	Inline (FM-1100i)	

See Mini-Bulk Pump (pg. 15) for performance information.



Mini-Bulk Chemical Transfer System



Shurflo® Mini-Bulk Chemical Transfer Pumps and Systems are designed specifically for chemical company tanks where the pump is integral to the tank. The SF-1100-REC system is mounted to any tank with a 9-inch, threaded opening. This system allows the pump to recirculate the suspended chemical components prior to transferring to the point of use.

Order Information

Part #	Description
SF-1100-REC-DT	Chemical Transfer Pump with 12 VDC motor, 20 ft. cable, alligator clips & in-line fuse (Part # SF-1100-EPDM valves or SF-1105-Viton Valves), in-line electronic flow meter (Part # FM-1100i), 1-in. NPT x 12 ft. EPDM discharge hose with ball valve/spout, 3-way valve, tubing and fittings to allow tank recirculation, and 28" dip tube.
SF-1105-REC-DT	

See Mini-Bulk Pump (pg. 15) for performance information.



Mini-Bulk Pumps



The SF-1100 Series Bulk Chemical Pumps are the industry leader. They are designed for efficiency and power to handle highly viscous fluids. Servicing the SF-1100 series pump is a rare event, but if needed, it can be serviced quickly and easily with only a few hand tools.

- Specialized EPDM elastics or Viton option
- 12 volt DC or 110 volt AC motor option
- 20 foot cord with alligator clips and in-line fuse (DC only)
- Weather protected on/off switch
- Internal bypass to protect the pump at shut-off
- 2" MNPT inlet, 1" FNPT outlet
- Capable of priming up to 12 feet

Order Information

Part #	Valves	Motor
SF-1100	Epdm	12 VDC
SF-1100-110V	Epdm	110 VAC
SF-1105	Viton	12 VDC

Model	PSI	BAR	GPM	L/min	Amps
SF-1100 and SF-1105	0	0.0	10.7	40	9.3
	5	0.3	10.1	38	10.3
	10	0.7	8.7	33	12.3
	15	1.0	7.6	29	13.9

Mini-Bulk Flow Meters



The FM-1100 Series Electronic Flow Meter is designed for accurate and easy measuring of transferred chemicals. The FM-1100 Series Flow Meter is an integral component for a complete bulk chemical transfer system.

- Max. flow of 20 gpm (.5% after calibration)
- Accurate nutating disk design
- Large LCD display makes meter reading easy from a distance
- Simple calibration steps and control button layout
- Long-life lithium battery
- Easy-to-service electronics and batteries
- Available in pump-mounted and hose-end configurations

Order Information

Part #	Description
FM-1100	Pump-mounted meter kit- 1" MNPT inlet & outlet
FM-1100i	Inline meter kit -1" FNPT inlet & outlet

Mini-Bulk Kits, Parts, & Accessories



Part# 94-718-00



Part# 94-719-00



Part# 94-720-00 & 94-720-05



Part# 94-721-00

Mini-Bulk Pump Kits for SF-1100 Series

Part Number	Description
94-718-00	Motor assembly kit used in any SF-1100 series pumps. Kit includes a 12 VDC motor with integrated pump lower housing, built-in on-off switch, 20 foot cable, alligator clips and in-line fuse (Support bracket part # 84-1038-08)
94-719-00	Santoprene diaphragm/lower housing/drive assembly - ready for installation
94-720-00	EPDM valve housing kits include a complete fully-assembled valve housing with o-ring seal* - ready for installation
94-720-05	Viton valve housing kits include a complete fully-assembled valve housing with o-ring seal* - ready for installation
94-721-00	Polypropylene upper housing - includes o-ring seal* and pump head screws

* Manufacturer recommends replacing the O-ring seal whenever the pump has been dismantled.



Part# 94-732-00



Part# 94-733-00



Part# 94-734-00



Part# 94-735-00



Part# 94-736-00

Mini-Bulk Flow Meter Kits for FM-1100 Series

Part Number	Description
94-732-00	Flow meter electronics kit includes the front cover assembly and the electronic display with o-ring and batteries. Kit fits both pump-mounted and in-line meters (O-ring part # 5-040-154)
94-733-00	Flow meter housing seal cover kit includes the seal cover, o-ring and screws. Kit fits both pump-mounted and in-line meters. (O-ring part # 5-040-154)
94-734-00	Nutating chamber assembly, including o-ring seal. Kit fits both pump-mounted and in-line meters
94-735-00	90° meter housing with o-ring seal for pump-mounted flow meter. (O-ring part # 5-043-240)
94-736-00	Meter housing with o-ring seal for in-line flow meter. (O-ring part # 5-043-240)



Part# 3320-0064



Part# 8-727-00



Part# 94-712-00



Part# 94-716-00



Part# 94-717-00



Part# 94-723-00



Part# 2407-002



Part# 94-724-00



Part# 94-725-00



Part# 94-737-00



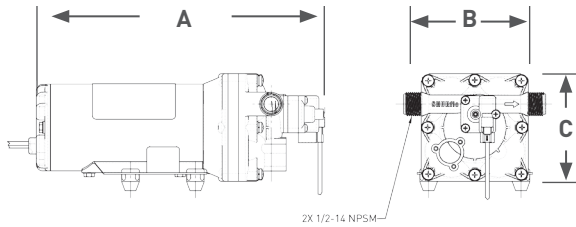
Part# 94-738-00

Other Mini-Bulk Parts & Accessories

Part Number	Description
3320-0064	Anti-flow back valve for EPA compliance
8-727-00	2 inch FNPT by 1 Inch FNPT polypropylene reducer coupling
94-712-00	2 inch male NPT by 2 inch female NPT street elbow fitting
94-716-00	1 inch NPT ball valve with spout
94-717-00	1 inch NPT x 12 foot EPDM discharge hose kit
94-723-00	Set of red and black alligator clips, including fuse holder
94-724-00	Replacement recirculation lid (Gasket part # 7-155-00)
94-725-00	Replacement recirculation cap
94-737-00	Recirculation system return hose kit - includes return hose and two hose clamps
94-738-00	Elbow, valve and coupling assembly - includes a 1 inch street elbow, 1 inch ball valve, and 1 inch bayonet tank coupling
2407-002	Dip Tube

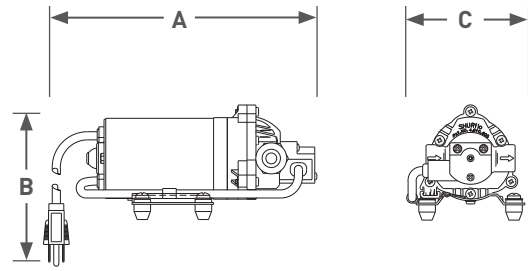
Pump Dimensions

5059 Series



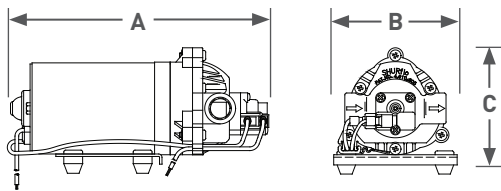
Model No.	A	B	C
5059-1311-D011	9.99"/25.4 cm	4.92"/12.5 cm	4.03"/10.2 cm
5059-1310-D011	9.99"/25.4 cm	4.34"/11 cm	4.03"/10.2 cm

8020 Series



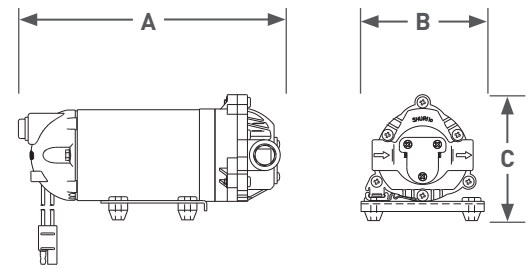
Model No.	A	B	C
8020-503-250	6.56"/16.7 cm	4.08"/10.2 cm	4.00"/10.4 cm
8020-513-236	7.56"/19.2 cm	4.08"/10.2 cm	4.00"/10.4 cm
8020-833-238	8.38"/21.3 cm	4.08"/10.2 cm	4.00"/10.4 cm

8000 Series



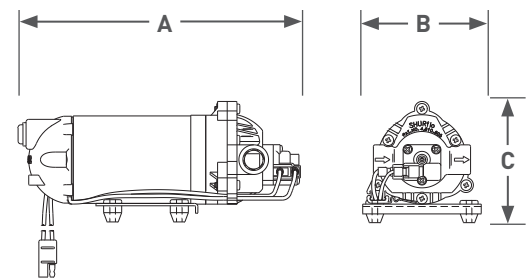
Model No.	A	B	C
8000-343-236	8.38"/21.3 cm	3.28"/8.3 cm	4.08"/10.4 cm
8000-533-236	7.56"/19.2 cm	3.28"/8.3 cm	4.08"/10.4 cm
8000-533-250	6.56"/16.7 cm	3.28"/8.3 cm	4.08"/10.4 cm
8000-541-236	7.56"/19.2 cm	3.28"/8.3 cm	4.08"/10.4 cm
8000-542-136	8.38"/21.3 cm	4.50"/11.4 cm	4.08"/10.4 cm
8000-543-136	8.38"/21.3 cm	4.50"/11.4 cm	4.08"/10.4 cm
8000-543-138	8.38"/21.3 cm	4.50"/11.4 cm	4.08"/10.4 cm
8000-543-210	7.28"/18.5 cm	3.28"/8.3 cm	4.08"/10.4 cm
8000-543-220	7.28"/18.5 cm	3.28"/8.3 cm	4.08"/10.4 cm
8000-543-236	8.38"/21.3 cm	4.00"/10.2 cm	4.08"/10.4 cm
8000-543-238	8.38"/21.3 cm	3.28"/8.3 cm	4.08"/10.4 cm
8000-543-250	7.28"/18.5 cm	4.00"/10.2 cm	4.08"/10.4 cm
8000-543-290	7.88"/20.0 cm	3.28"/8.3 cm	4.08"/10.4 cm
8000-543-936	8.38"/21.3 cm	3.28"/8.3 cm	4.08"/10.4 cm
8000-643-236	8.38"/21.3 cm	4.00"/10.2 cm	4.08"/10.4 cm
8006-543-250	7.28"/18.5 cm	3.28"/8.3 cm	3.60"/9.1 cm
8030-813-239	9.49"/24.1 cm	4.00"/10.2 cm	4.08"/10.4 cm
8030-863-239	9.49"/24.1 cm	4.00"/10.2 cm	4.08"/10.4 cm

8007 Series



Model No.	A	B	C
8007-543-850	8.49"/21.6 cm	4.08"/10.2 cm	4.00"/10.4 cm
8007-593-850	9.49"/24.1 cm	4.08"/10.2 cm	4.00"/10.4 cm

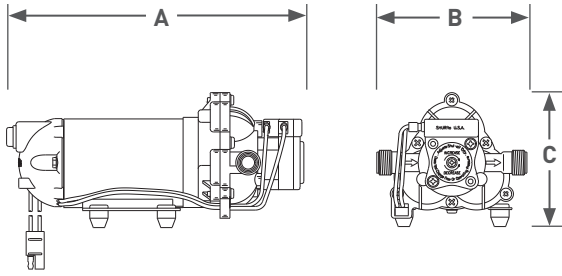
8007 Series



Model No.	A	B	C
8007-591-236	8.80"/22.4 cm	4.08"/10.2 cm	4.00"/10.4 cm
8007-593-836	9.62"/24.4 cm	4.08"/10.2 cm	4.00"/10.4 cm
8007-543-836	9.62"/24.4 cm	4.08"/10.2 cm	4.00"/10.4 cm

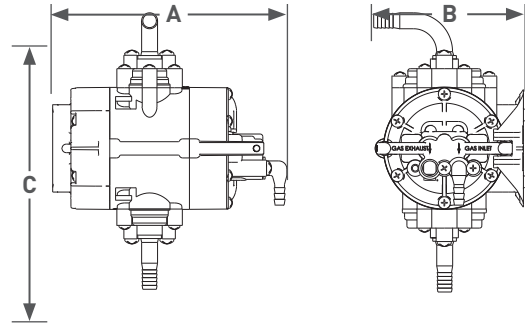
Pump Dimensions

2087 Series



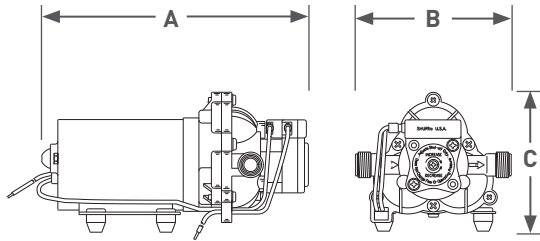
Model No.	A	B	C
2087-593-135	9.90"/25.1 cm	5.00"/12.7 cm	4.45"/11.3 cm

166 Series Air Pumps



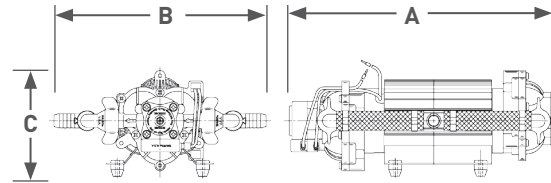
Model No.	A	B	C
166-200-36	5.8"/14.7 cm	3.8"/9.7 cm	6.75"/17.2 cm
166-200-46	5.8"/14.7 cm	3.8"/9.7 cm	6.75"/17.2 cm
166-200-56	5.8"/14.7 cm	3.8"/9.7 cm	6.75"/17.2 cm
166-200-57	5.8"/14.7 cm	3.8"/9.7 cm	6.75"/17.2 cm

2088 Series



Model No.	A	B	C
2088-313-145	9.90"/25.1 cm	5.00"/12.6 cm	4.40"/11.2 cm
2088-343-135	8.60"/21.8 cm	5.00"/12.7 cm	4.45"/11.3 cm
2088-343-170	9.90"/25.1 cm	5.00"/12.7 cm	4.45"/11.3 cm
2088-343-500	8.25"/21.0 cm	5.00"/12.7 cm	4.45"/11.3 cm
2088-394-144	8.60"/21.8 cm	5.00"/12.7 cm	4.50"/11.4 cm
2088-394-154	8.60"/21.8 cm	5.00"/12.7 cm	4.40"/11.2 cm
2088-443-144	8.60"/21.8 cm	5.00"/12.7 cm	4.45"/11.3 cm

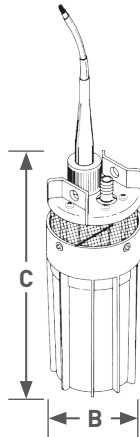
Power Twin Series



Model No.	A	B	C
4111-035	12.4" (31.5 cm)	9.9" (25.1 cm)	4.9" (12.5 cm)
4211-035	12.4" (31.5 cm)	5.0" (12.7 cm)	4.9" (12.5 cm)

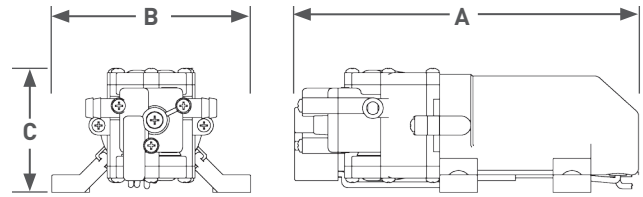
Pump Dimensions

Submersible Pump



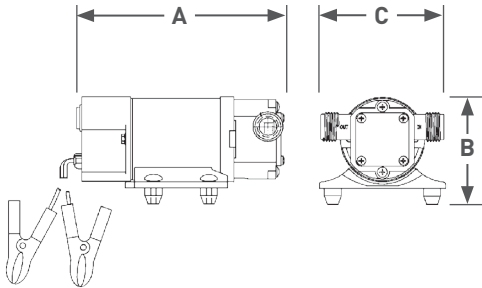
Model No.	A	B	C
9325-043-101	N/A	3.75"/9.5 cm	12.0"/30.5 cm

SLV Series



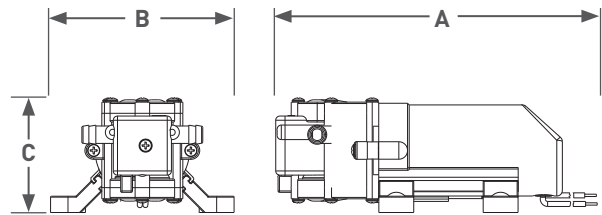
Model No.	A	B	C
SLV10-AA40	6.82"/17.3 cm	3.94"/10.0 cm	2.45"/6.2 cm
SLV10-AA41	6.82"/17.3 cm	3.94"/10.0 cm	2.45"/6.2 cm
SLV10-AB41	6.82"/17.3 cm	3.94"/10.0 cm	2.45"/6.2 cm
SLV10-AA48	6.82"/17.3 cm	3.94"/10.0 cm	2.45"/6.2 cm

Flexible Impeller Pumps



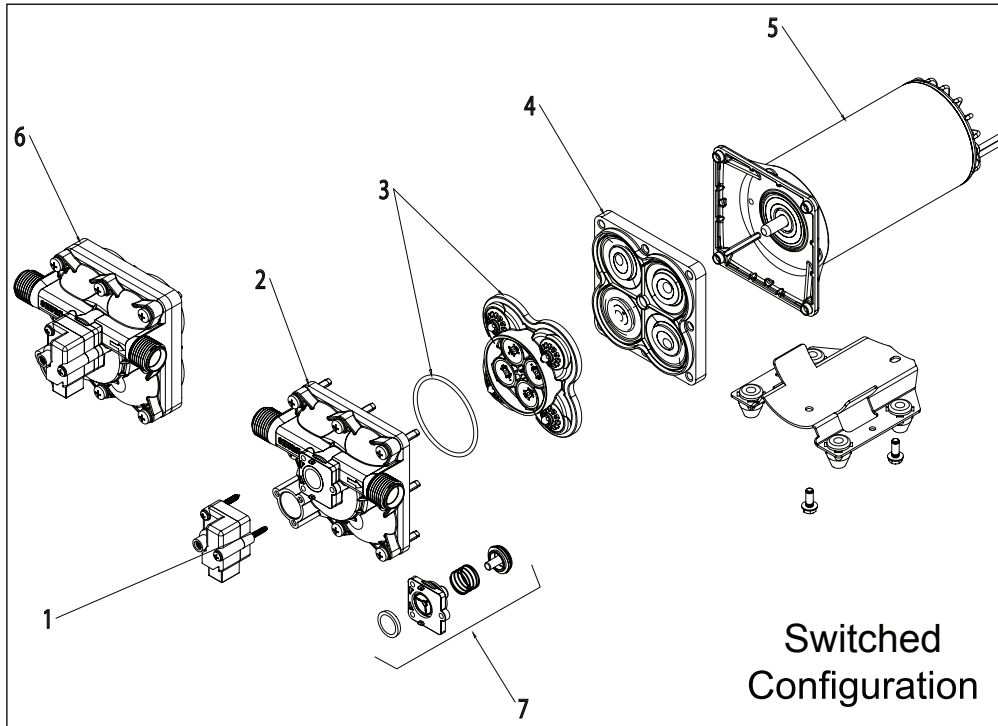
Model No.	A	B	C
3000-350	7.5"/19.1 cm	4.5"/11.4 cm	3.5"/8.9 cm

SLV Pumps

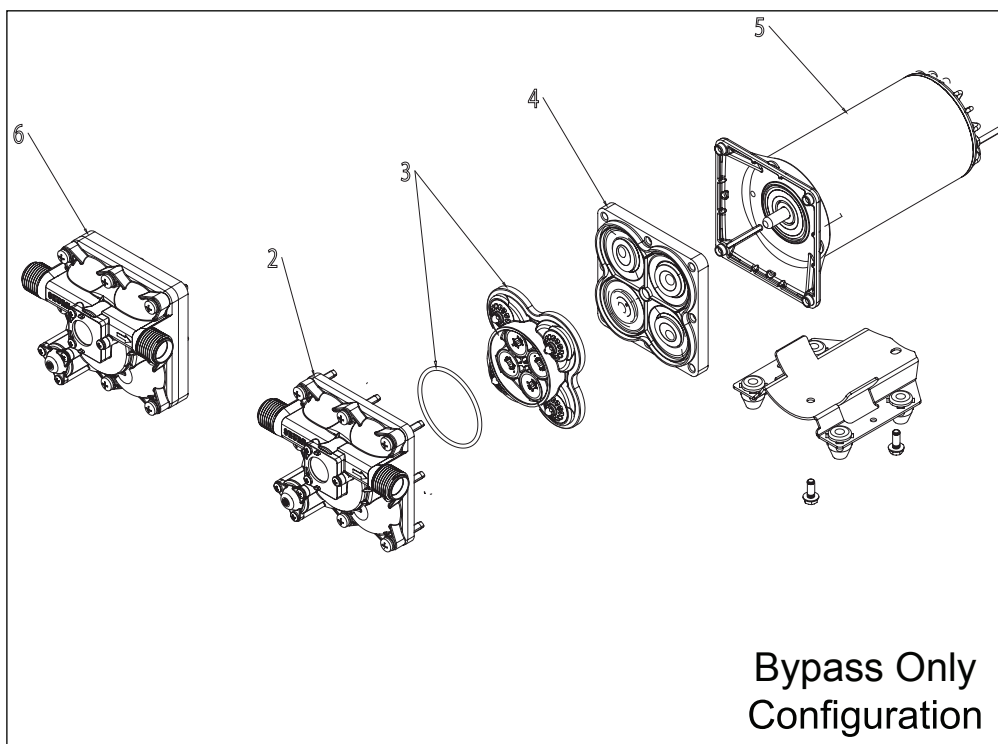


Model No.	A	B	C
SLV10-HA01	6.17"/15.6 cm	3.94"/10.0 cm	2.45"/6.2 cm

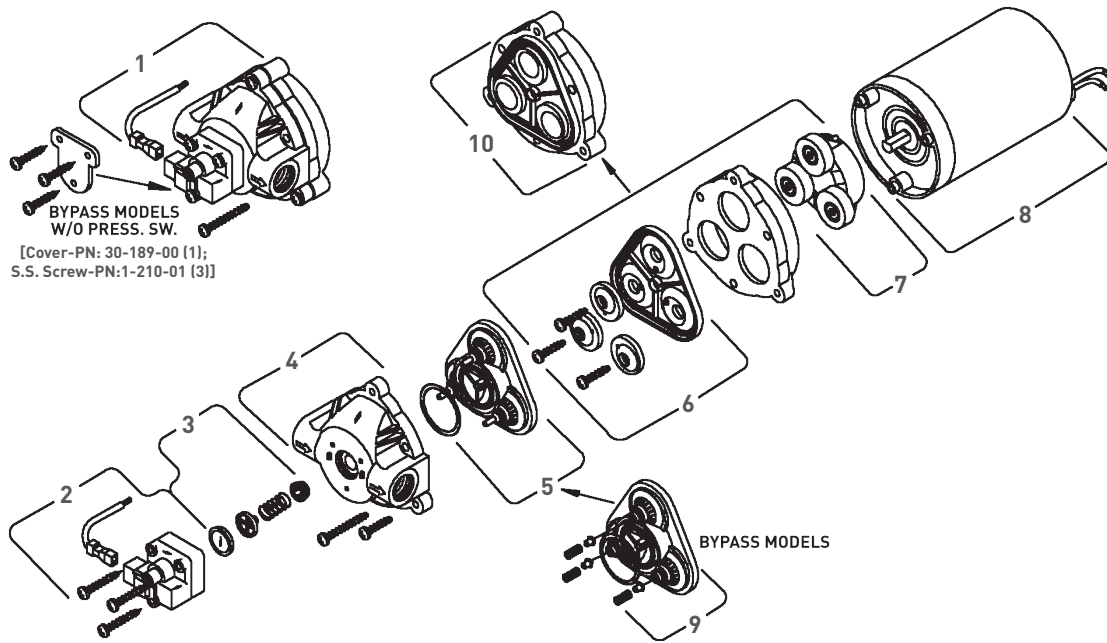
5059 Series Parts Kit List



Model Number	1 Switch Only	2 Upper Housing Assembly	3 Valve Assembly	4 Drive Assembly	5 Motor	6 Pump Head	7 Check Valve
5059-3610-xxxx	94-910-02	94-910-11	94-910-05	94-910-04	94-71-000-17	94-910-10	94-910-03
5059-3611-xxxx	94-910-02	94-910-01	94-910-05	94-910-04	94-71-000-17	94-910-00	94-910-03
5059-3510-xxxx	N/A	94-910-15	94-910-05	94-910-04	94-71-000-17	94-910-13	N/A
5059-3511-xxxx	N/A	94-910-14	94-910-05	94-910-04	94-71-000-17	94-910-12	N/A

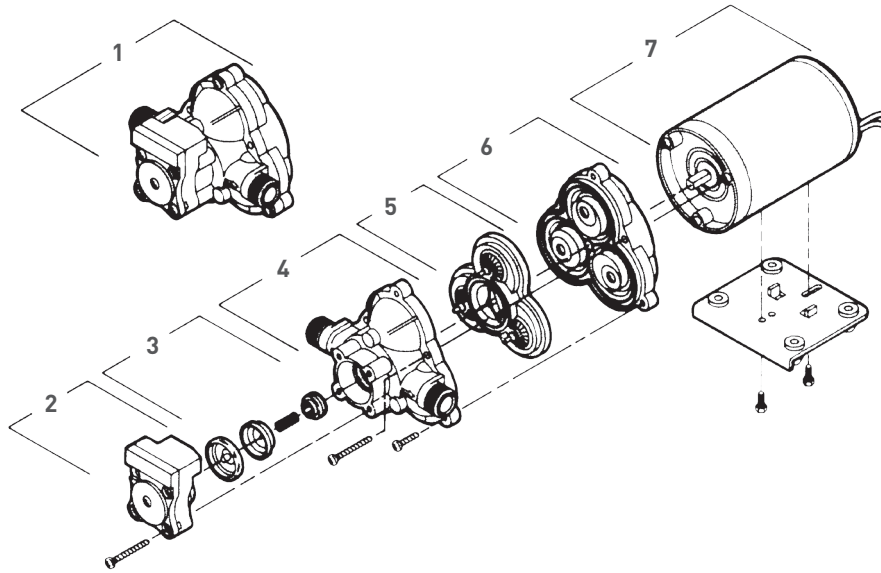


8000 Series Parts Kit List



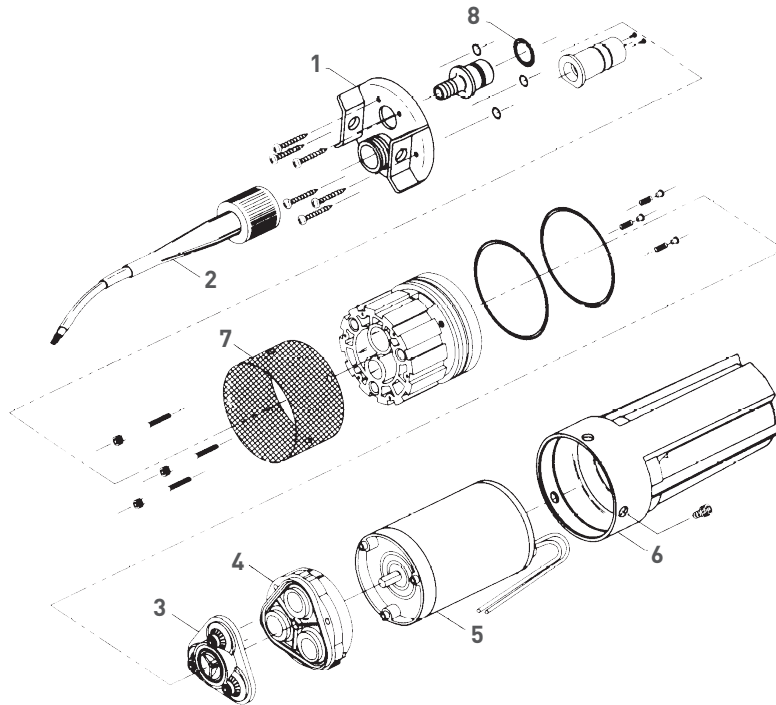
Model Number	1 Complete Pumphead Assembly	2 Switch Assembly	3 Check Valve Assembly	4 Upper Housing	5/9 Bypass/ Non-Bypass Valve Assembly	6 Diaphragm Assembly	7/10 Drive Assembly	8 Motor
8000-343-236	94-380-05	94-375-05	94-374-05	94-379-00	94-390-05	94-395-05	94-385-04	11-111-00
8000-533-236	94-380-02	94-375-05	94-375-10	94-379-00	94-390-05	N/A	94-385-32	11-150-00
8000-533-250	N/A	N/A	N/A	94-379-00	94-391-09	N/A	94-385-32	11-150-00
8000-541-236	N/A	94-375-06	94-374-05	94-379-00	94-390-05	N/A	94-385-30	11-148-04
8000-542-136	N/A	94-375-06	94-374-05	94-378-00	94-390-05	N/A	94-385-32	11-111-00
8000-543-136	N/A	94-375-06	94-374-05	94-378-00	94-390-05	N/A	94-385-32	11-111-00
8000-543-138	N/A	94-375-15	94-374-05	94-378-00	94-390-05	N/A	94-385-32	11-111-00
8000-543-210	N/A	N/A	N/A	94-379-00	94-391-15	N/A	94-385-32	11-111-00
8000-543-220	N/A	N/A	N/A	94-379-00	94-391-07	N/A	94-385-32	11-111-00
8000-543-236	94-380-02	94-375-06	94-374-05	94-379-00	94-390-05	N/A	94-385-32	11-111-00
8000-543-238	N/A	94-375-18	94-374-05	94-379-00	94-390-05	N/A	94-385-32	11-111-00
8000-543-250	94-382-09	N/A	N/A	94-379-00	94-391-09	N/A	94-385-32	11-111-00
8000-543-290	N/A	N/A	N/A	94-379-00	94-390-05	N/A	94-385-32	11-111-00
8000-543-936	94-380-02	94-375-06	94-374-05	94-379-00	94-390-05	N/A	94-385-32	11-111-04
8000-643-236	N/A	94-375-04	N/A	94-379-00	94-390-10	94-395-10	94-385-03	11-111-00
8006-543-250	94-382-09	N/A	N/A	94-379-00	94-391-09	N/A	94-385-32	11-111-07
8007-543-836	N/A	94-375-06	94-374-08	94-379-00	94-390-05	N/A	94-385-32	11-184-02
8007-543-850	94-382-09	N/A	N/A	94-379-00	94-391-09	N/A	94-385-32	11-184-04
8007-591-236	N/A	94-375-06	94-374-08	94-379-00	94-390-05	94-395-06	N/A	11-148-00
8007-593-836	N/A	94-375-06	94-374-08	94-379-00	94-390-05	N/A	94-385-32	11-184-01
8007-593-850	94-382-09	N/A	N/A	94-379-00	94-391-09	N/A	94-385-32	11-184-03
8020-503-250	94-382-09	N/A	N/A	94-379-00	94-391-08	94-395-06	94-385-03	11-194-00
8020-833-238	94-380-28	94-375-06	N/A	94-379-01	94-390-15	94-395-16	94-385-03	11-195-01
8030-813-239	N/A	94-375-15	94-374-10	94-379-01	94-390-15	N/A	94-385-32	11-227-00
8030-863-239	N/A	94-375-20	94-374-10	94-379-01	94-390-15	N/A	94-385-32	11-223-00

2088 Series Parts Kit List



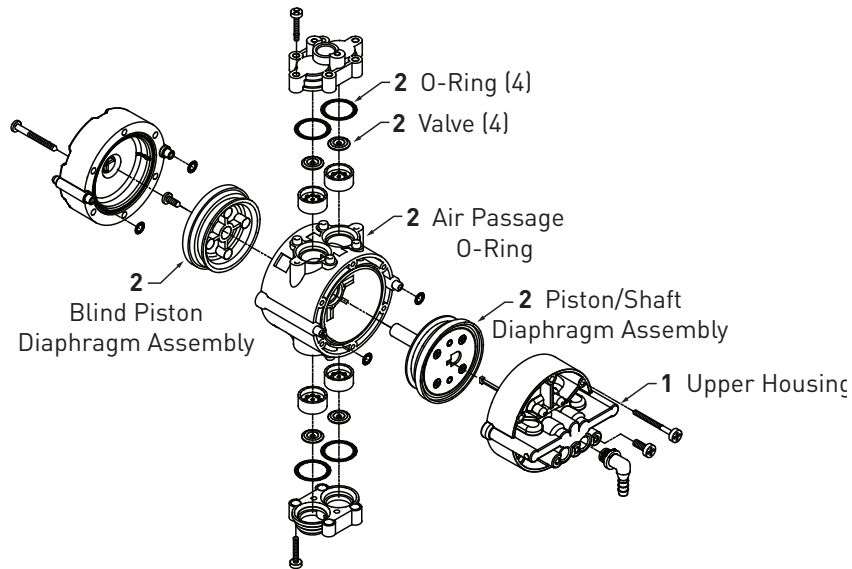
Model Number	1 Complete Pump head Assembly	2 Switch Assembly	3 Check Valve Assembly	4 Upper Housing	5 Bypass/ Non Bypass Valve Assembly	6 Drive/Impeller Diaphragm Assembly	7 Motor
2088-313-145	94-236-15	94-230-55	94-237-05	94-231-30	94-232-05	94-238-03	11-185-06
2088-343-135	94-236-11	94-230-36	94-237-05	94-231-30	94-232-05	94-238-03	11-111-00
2088-343-170	N/A	N/A	N/A	94-231-40	94-232-05	94-238-03	11-174-01
2088-343-500	N/A	N/A	N/A	94-231-40	94-232-05	94-238-03	11-111-00
2088-394-144	N/A	N/A	94-237-00	94-231-30	94-232-05	94-238-03	11-195-01
2088-394-154	94-236-11	94-230-36	94-237-05	94-231-30	94-232-05	94-238-03	11-150-10
2088-443-144	94-236-20	94-230-35	94-237-00	94-231-30	94-232-00	94-238-03	11-111-00

9300 Series Parts Kit List



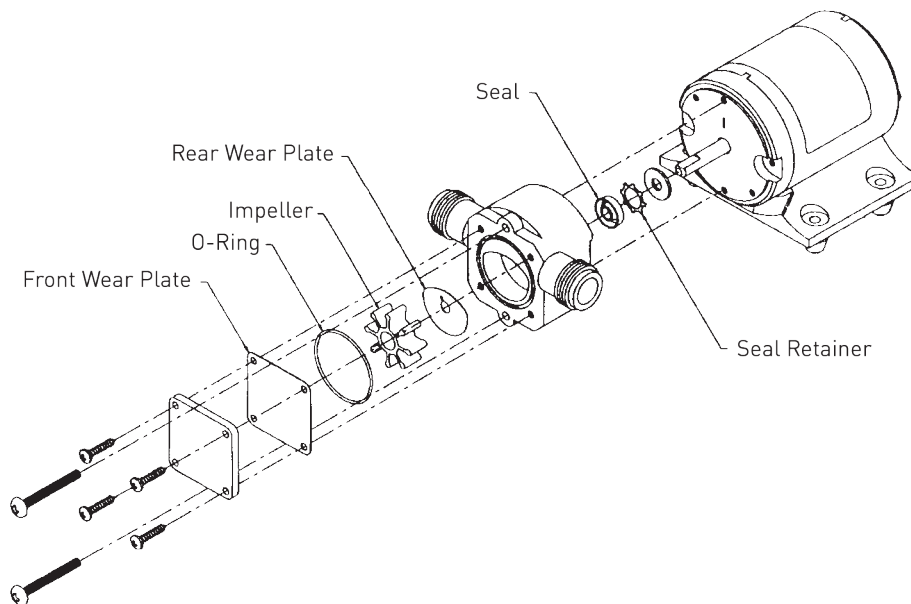
Model Number	1 Lift Plate	2 Cable Plug	3 Valve	4 Lower Housing	5 Motor	6 Canister	7 Filter Screen	8 O-Ring
9325-043-101	94-135-00	94-136-00	94-137-00	94-138-00	94-139-00	94-140-00	94-141-00	94-142-00

166 Series Parts Kit List



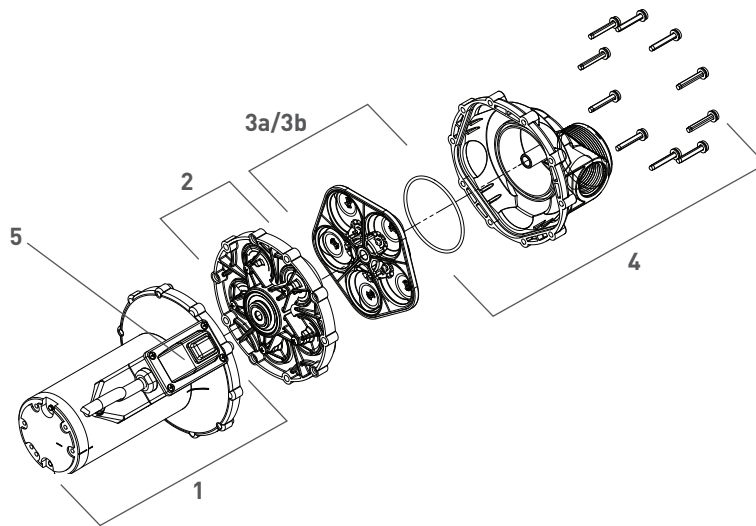
Model Number	Complete Pump Assembly	Switch Assembly	Check Valve Assembly	1 Upper Housing	Bypass/ Non-Bypass Valve Assembly	2 Diaphragm Assembly	Drive/Impeller Assembly	Motor
166-200-36	N/A	N/A	N/A	94-176-13	N/A	94-175-05	N/A	N/A
166-200-46	N/A	N/A	N/A	94-176-13	N/A	94-175-08	N/A	N/A
166-200-56	N/A	N/A	N/A	94-176-13	N/A	94-175-06	N/A	N/A
166-200-57	N/A	N/A	N/A	94-176-13	N/A	94-175-07	N/A	N/A

3000 Series Parts Kit List



Model Number	Complete Pump Assembly	Switch Assembly	Check Valve Assembly	Upper Housing	Bypass/ Non-Bypass Valve Assembly	Diaphragm Assembly	1* Drive/Impeller Assembly	2 Motor
3000-350	94-122-00	N/A	N/A	N/A	N/A	N/A	94-120-00	11-214-01

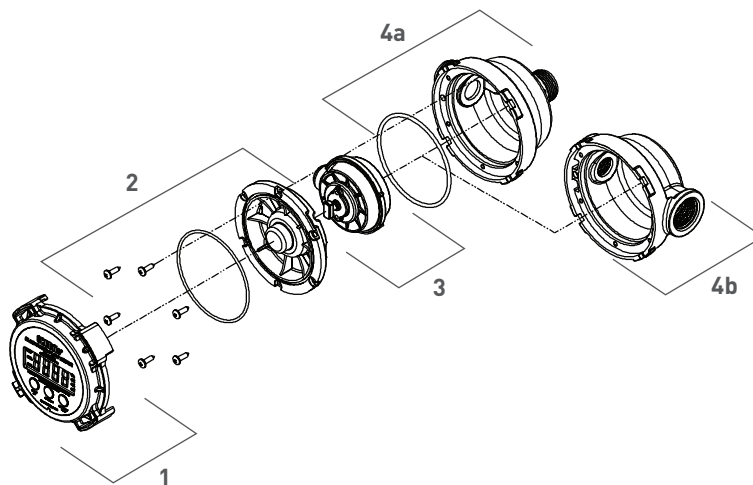
SF-1100 and SF-1105 Dispensing Pump Kits



SF-1100/SF-1105 Kits List

Item	Kit Part No.	Description
1	94-718-00	Motor Assembly Kit
2	94-719-00	Diaphragm/Lower Housing/Drive Assembly Kit
3a	94-720-00	Valve Housing Assembly Kit (EPDM)
3b	94-720-05	Valve Housing Assembly Kit (Viton)
4	94-721-00	Upper Housing Assembly Kit
5	94-747-00	Rocker Switch Kit

FM-1100 & FM-1100i Electronic Flow Meter Kits



FM-1100/FM-1100i Kits List

Item	Kit Part No.	Description
1	94-732-00	Electronic Assembly Kit
2	94-733-00	Meter Housing Seal Cover Kit
3	94-734-00	Nutating Chamber Assembly Kit
4a	94-735-00	90-Degree Meter Housing Kit
4b	94-736-00	Inline Meter Housing Kit



HYPRO® • SHURFLO®

PENTAIR FLOW TECHNOLOGIES
HYPRO • SHURFLO
+1.800.424.9776 main
+1.800.323.6496 fax
375 5th Ave NW
New Brighton, MN 55112
United States
www.HyproPumps.com

FAX ORDER FORM

TOLL FREE NUMBER

800-323-6496

If you have any questions, please call 800-424-9776.

Your Customer Number: _____

Bill To: _____

Phone: _____

Purchase Order Number: _____

Requested Ship Date: _____

Shipping Method: _____

Ship To: _____

Fax No.: _____

Contact: _____

E-mail: _____

Comments: _____

	Part Number	Customer Part Number	Description	Qty	Price	Extension
1						
2						
3						
4						
5						
6						
7						
8						
9						
10						
11						
12						
13						
14						
15						
16						
17						
18						
Total						

HYPRO® • SHURFLO®

