

ONGA®

BLAZEMASTER SERIES

BRIGGS & STRATTON ENGINE DRIVE PUMPS

SINGLE & TWIN IMPELLER PUMPS



B55BS

2
 YEARS
 WARRANTY

FEATURES

Lightweight high grade corrosion resistant materials.

Large pump casing with raised suction port and inbuilt non-return valve for better priming capabilities.

Computational Fluid Dynamics designed hydraulic components for higher performance and efficiency.

Strong and durable construction.

Max. head - 107m.

Max. flow - 740lpm.

APPLICATIONS

- Fire fighting.
- Tank filling.
- Water transfer.
- Irrigation and spraying.

PUMP INFORMATION

Horizontal, single-stage or twin-stage, surface mounted centrifugal pump with closed impeller/s for pumping debris free water coupled to a Briggs & Stratton Intek I/C 5HP, 6HP, 8HP or 10HP engine.

OPERATING CONDITIONS

Suitable for pumping clean non-aggressive liquids without solids or fibres in suspension.

| | |
|------------------------------|----------|
| Fluid: | Water.* |
| Maximum water temperature: | 55°C. |
| Minimum water temperature: | 1°C. |
| Maximum ambient temperature: | 40°C.** |
| Maximum casing pressure: | 1300kPa. |

*For liquids outside of this range please consult your local Onga office for product suitability.

Viton seal kit available as replacement service part.

**Engine performance greatly reduced with increased ambient temperature and/or altitude, clarify with Engine Manufacturer.

Distributed By:


ARGON
 DISTRIBUTORS LTD

Freephone 0508 634 341 | Fax 09 634 7417

7 Monier Pl, Mt Wellington, Auckland 1060, New Zealand

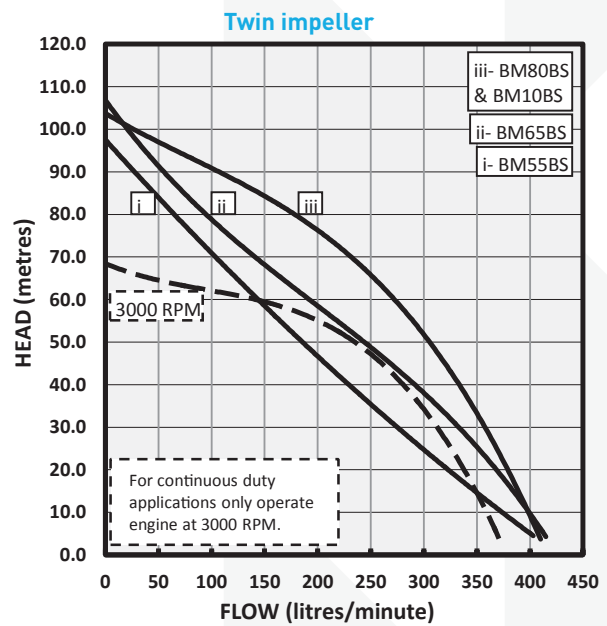
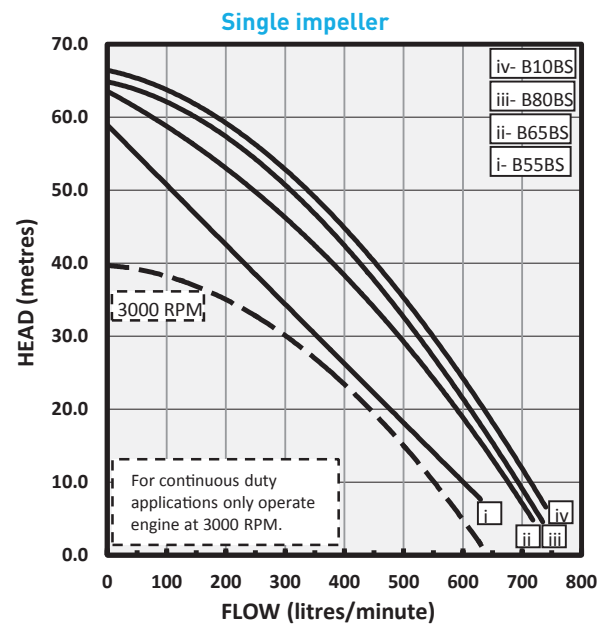
ENGINE DATA

| Type | Engine | Model | Nominal HP | Displacement CC | Continuous duty | Fuel tank capacity | Fuel | Fuel consumption @ 3600 RPM | Recommended oil type | Oil capacity |
|--------|--------|-----------|------------|-----------------|-----------------|--------------------|--------|-----------------------------|----------------------|--------------|
| B55BS | B&S | Intek I/C | 5 | 205 | 3000 RPM | 3 litres | Petrol | 2.04 litres/hour | SAE30 | 0.6 litres |
| B65BS | B&S | Intek I/C | 6 | 205 | 3000 RPM | 3 litres | Petrol | 2.11 litres/hour | SAE30 | 0.6 litres |
| B80BS | B&S | Intek I/C | 8 | 305 | 3000 RPM | 3 litres | Petrol | 3.21 litres/hour | SAE30 | 0.83 litres |
| B10BS | B&S | Intek I/C | 10 | 305 | 3000 RPM | 3 litres | Petrol | 3.63 litres/hour | SAE30 | 0.83 litres |
| BM55BS | B&S | Intek I/C | 5 | 205 | 3000 RPM | 3 litres | Petrol | 2.04 litres/hour | SAE30 | 0.6 litres |
| BM65BS | B&S | Intek I/C | 6 | 205 | 3000 RPM | 3 litres | Petrol | 2.11 litres/hour | SAE30 | 0.6 litres |
| BM80BS | B&S | Intek I/C | 8 | 305 | 3000 RPM | 3 litres | Petrol | 3.21 litres/hour | SAE30 | 0.83 litres |
| BM10BS | B&S | Intek I/C | 10 | 305 | 3000 RPM | 3 litres | Petrol | 3.63 litres/hour | SAE30 | 0.83 litres |

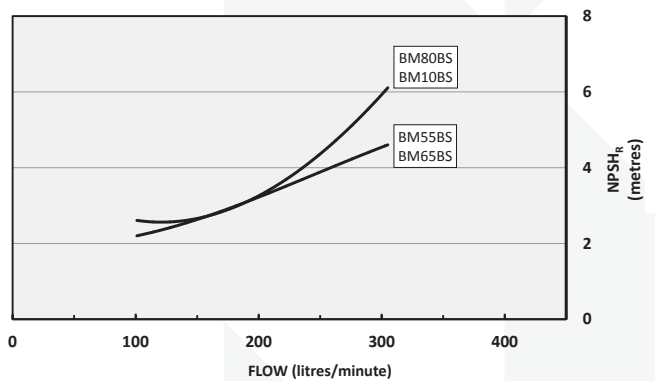
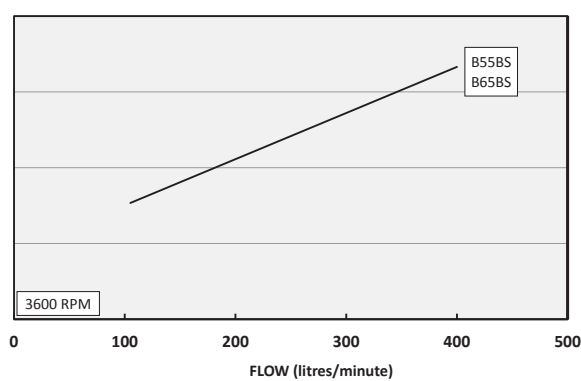
PERFORMANCE

| Type | P/No | Delivery head H [m] | 10 | 20 | 30 | 40 | 50 | 60 | 70 | 80 | 90 | 100 |
|--------|--------|---------------------------------|-----|-----|-----|-----|-----|-----|-----|-----|-----|-----|
| B55BS | B55BS | Capacity [litres per minute] | 600 | 477 | 355 | 230 | 113 | - | - | - | - | - |
| B65BS | B65BS | | 670 | 592 | 495 | 375 | 241 | 76 | - | - | - | - |
| B80BS | B80BS | | 694 | 609 | 521 | 430 | 308 | 146 | - | - | - | - |
| B10BS | B10BS | | 712 | 640 | 550 | 456 | 343 | 188 | - | - | - | - |
| BM55BS | BM55BS | | 375 | 323 | 274 | 227 | 184 | 142 | 105 | 63 | 28 | - |
| BM65BS | BM65BS | | 400 | 370 | 333 | 290 | 246 | 192 | 139 | 96 | 55 | 23 |
| BM80BS | BM80BS | | 400 | 379 | 356 | 334 | 306 | 272 | 230 | 178 | 108 | 27 |
| BM10BS | BM10BS | | 400 | 379 | 356 | 334 | 306 | 272 | 230 | 178 | 108 | 27 |

PERFORMANCE CURVE



NPSHR



Distributed By:

ARGON
DISTRIBUTORS LTD

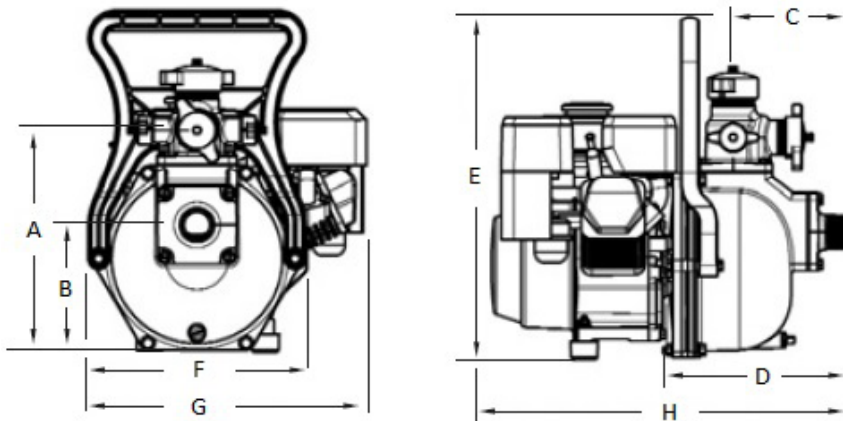
Freephone 0508 634 341 | Fax 09 634 7417
7 Monier Pl, Mt Wellington, Auckland 1060, New Zealand

PUMP CONSTRUCTION MATERIALS

| Component | Material |
|------------------------|-------------------------|
| Pump casing | Powder coated Aluminium |
| Impeller/s | 30% Glass Filled Nylon |
| Diffuser | Aluminium |
| Priming/discharge caps | Glass Filled Nylon |
| Seal flexible bellows | Nitrile |
| Seal stationary face | Ceramic |
| Seal rotating face | Carbon |
| Seal spring | Stainless Steel |
| Motor shaft | Mild Steel |
| O'Rings | Nitrile |

DIMENSIONS

| Type | Inlet | Outlets | Carton L x W x H | Packed weight |
|----------------|----------------|------------------------|--------------------|---------------|
| B55BS | 1½" BSP (male) | 1", 1", 1½" BSP (male) | 620 x 465 x 550 mm | 29 kg |
| B65BS | 2" BSP (male) | 1", 1", 2" BSP (male) | 620 x 465 x 550 mm | 29 kg |
| B80BS | 2" BSP (male) | 1", 1", 2" BSP (male) | 640 x 560 x 550 mm | 40 kg |
| B10BS | 2" BSP (male) | 1", 1", 2" BSP (male) | - | - |
| BM55BS | 1½" BSP (male) | 1", 1", 1½" BSP (male) | 620 x 490 x 560 mm | 30 kg |
| BM65BS | 2" BSP (male) | 1", 1", 2" BSP (male) | 620 x 490 x 560 mm | 30 kg |
| BM80BS | 2" BSP (male) | 1", 1", 2" BSP (male) | 660 x 560 x 550 mm | 42 kg |
| BM10BSE | 2" BSP (male) | 1", 1", 2" BSP (male) | - | - |



| Type | A (mm) | B (mm) | C (mm) | D (mm) | E (mm) | F (mm) | G (mm) | H (mm) |
|---------------|--------|--------|--------|--------|--------|--------|--------|--------|
| B55BS | 320 | 186 | 166 | 253 | 481 | 392 | 304 | 505 |
| B65BS | 322 | 188 | 166 | 253 | 483 | 396 | 304 | 514 |
| B80BS | 323 | 189 | 166 | 253 | 443 | 424 | 287 | 584 |
| B10BS | 316 | 182 | 166 | 271 | 484 | - | - | - |
| BM55BS | 320 | 186 | 166 | 253 | 481 | 392 | 304 | 505 |
| BM65BS | 322 | 188 | 166 | 253 | 483 | 396 | 304 | 514 |
| BM80BS | 323 | 189 | 166 | 253 | 443 | 424 | 287 | 584 |
| BM10BS | 316 | 182 | 166 | 253 | 484 | - | - | - |

Distributed By:

ARGON
DISTRIBUTORS LTD

Freephone 0508 634 341 | Fax 09 634 7417
7 Monier Pl, Mt Wellington, Auckland 1060, New Zealand