

4656 Z

AC axial compact fan



ebm-papst St. Georgen GmbH & Co. KG

Hermann-Papst-Str. 1
D-78112 St. Georgen
Phone +49 (0) 7724 81-0
Fax +49 (0) 7724 81-1309
info2@de.ebmpapst.com
www.ebmpapst.com

Nominal data

| Type | 4656 Z | |
|--------------------------|-------------------|------|
| Phase | | 1~ |
| Nominal voltage | VAC | 230 |
| Frequency | Hz | 50 |
| Speed | min ⁻¹ | 2650 |
| Power input | W | 19.0 |
| Min. ambient temperature | °C | -40 |
| Max. ambient temperature | °C | 75 |
| Air flow | m ³ /h | 160 |
| Sound power level | B | 5.3 |
| Sound pressure level | dB(A) | 40 |

ml = Max. load · me = Max. efficiency · fa = Running at free air · cs = Customer specs · cu = Customer unit
Subject to alterations

Distributed By:

ARGON
DISTRIBUTORS LTD

Freephone 0508 634 341 | Fax 09 634 7417

7 Monier Pl, Mt Wellington, Auckland 1060, New Zealand



Technical features

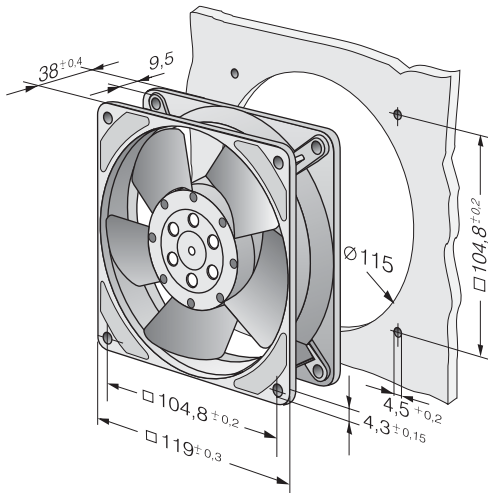
| | |
|--|--|
| Mass | 0.540 kg |
| Dimensions | 119 x 119 x 38 mm |
| Material of impeller | Metal |
| Housing material | Metal |
| Direction of air flow | Air exhaust over bars |
| Direction of rotation | Right, looking at rotor |
| Bearing | Ball bearings |
| Lifetime L10 at 40 °C | 37500 h |
| Lifetime L10 at maximum temperature | 17500 h |
| Connection line | 2 flat plugs 2.8 x 0.5 mm. Housing with grounding lug and tapping screw M4 x 8 (TORX). |
| Motor protection | Protected from overload using impedance protection |
| Approval | VDE, CSA, UL, CE |

Distributed By:**Freephone 0508 634 341 | Fax 09 634 7417****7 Monier Pl, Mt Wellington, Auckland 1060, New Zealand**

4656 Z

AC axial compact fan

Product drawing



Distributed By:

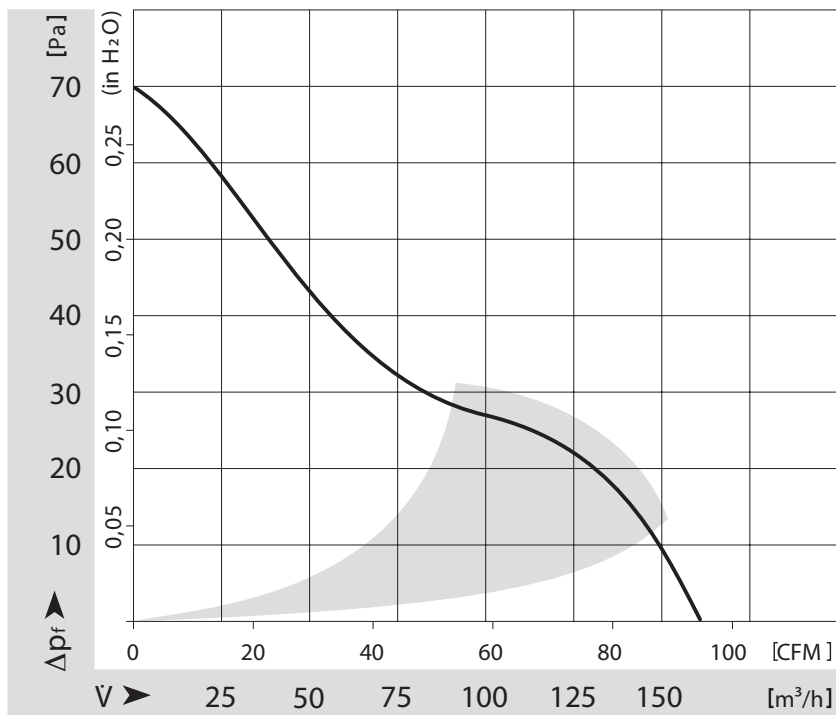
ARGON
DISTRIBUTORS LTD

Freephone 0508 634 341 | Fax 09 634 7417

7 Monier Pl, Mt Wellington, Auckland 1060, New Zealand



Charts: Air flow



Distributed By:



Freephone 0508 634 341 | Fax 09 634 7417
 7 Monier Pl, Mt Wellington, Auckland 1060, New Zealand

