

ebm-papst Mulfingen GmbH & Co. KG

Bachmühle 2 · D-74673 Mulfingen

Phone +49 7938 81-0

Fax +49 7938 81-110

info1@de.ebmpapst.com

www.ebmpapst.com

Limited partnership · Headquarters Mulfingen
County court Stuttgart · HRA 590344General partner Elektrobau Mulfingen GmbH · Headquarters Mulfingen
County court Stuttgart · HRB 590142**Nominal data**

| | | | |
|-------------------------------|-------------------|---------|---------|
| Type | R2E250-RA50-01 | | |
| Motor | M2E068-EC | | |
| Phase | | 1~ | 1~ |
| Nominal voltage | VAC | 230 | 230 |
| Frequency | Hz | 50 | 60 |
| Type of data definition | | ml | ml |
| Valid for approval / standard | | CE | CE |
| Speed | min ⁻¹ | 2500 | 2450 |
| Power input | W | 210 | 285 |
| Current draw | A | 0.93 | 1.25 |
| Motor capacitor | µF | 5 | 5 |
| Capacitor voltage | VDB | 400 | 400 |
| Capacitor standard | | P0 (CE) | P0 (CE) |
| Min. back pressure | Pa | 0 | 0 |
| Min. ambient temperature | °C | -25 | -25 |
| Max. ambient temperature | °C | 70 | 30 |
| Starting current | A | 1.5 | 1.4 |

ml = Max. load · me = Max. efficiency · fa = Running at free air · cs = Customer specs · cu = Customer unit
Subject to alterations**Data according to ErP directive**

| | |
|-----------------------|--------|
| Installation category | A |
| Efficiency category | Static |
| Variable speed drive | No |
| Specific ratio* | 1.00 |

* Specific ratio = $1 + p_b / 100\,000\text{ Pa}$

| | | Actual | Request 2013 | Request 2015 |
|--------------------------------|-------------------|--------|--------------|--------------|
| Overall efficiency η_{es} | % | 40.6 | 40.4 | 44.4 |
| Efficiency grade N | | 58.2 | 58 | 62 |
| Power input P_e | kW | 0.21 | | |
| Air flow q_v | m ³ /h | 905 | | |
| Pressure increase p_{fs} | Pa | 334 | | |
| Speed n | min ⁻¹ | 2505 | | |

Data definition with optimum efficiency. LU-135153
The ErP data is determined using a motor-impeller combination in a standardised measurement configuration.**Distributed By:****Freephone 0508 634 341 | Fax 09 634 7417****7 Monier Pl, Mt Wellington, Auckland 1060, New Zealand**

R2E250-RA50-01

AC centrifugal fan - RadiCal®

backward curved, single inlet

Technical features

| | |
|--|---|
| Size | 250 mm |
| Surface of rotor | Coated in black |
| Material of impeller | Plastic PA6, fibreglass-reinforced |
| Number of blades | 7 |
| Direction of rotation | Clockwise, seen on rotor |
| Type of protection | IP 44; Depending on installation and position |
| Insulation class | "F" |
| Humidity class | F1-2 |
| Max. permissible ambient motor temp. (transp./ storage) | + 80 °C |
| Min. permissible ambient motor temp. (transp./storage) | - 40 °C |
| Mounting position | Any |
| Condensate discharge holes | None |
| Operation mode | S1 |
| Motor bearing | Ball bearing |
| Touch current acc. IEC 60990 (measuring network Fig. 4, TN system) | < 0.75 mA |
| Motor protection | Thermal overload protector (TOP) wired internally |
| Cable exit | Variable |
| Protection class | I (if protective earth is connected by customer) |
| Product conforming to standard | EN 60335-1; CE |
| Approval | CCC |

Distributed By:

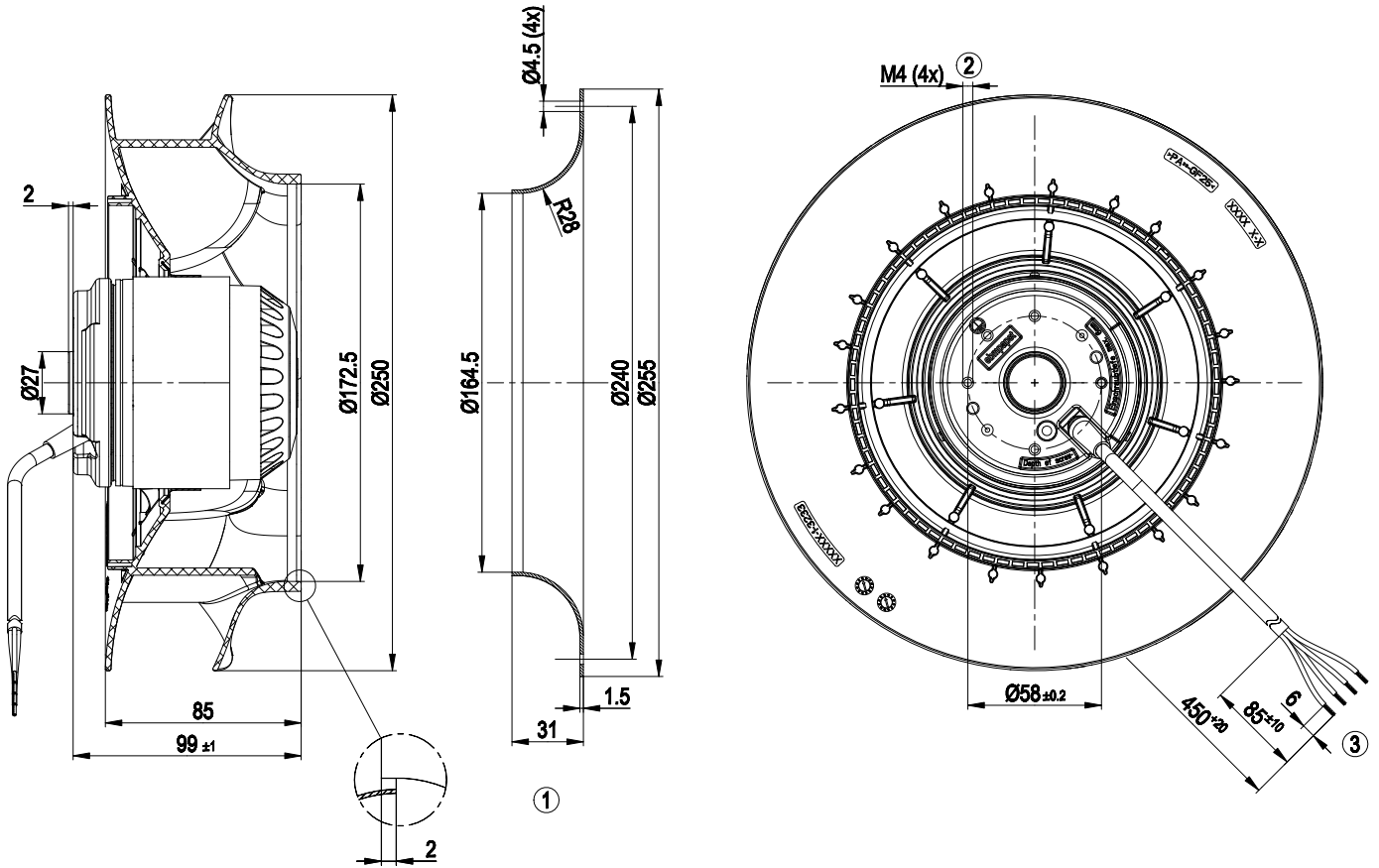
ARGON
DISTRIBUTORS LTD

Freephone 0508 634 341 | Fax 09 634 7417

7 Monier Pl, Mt Wellington, Auckland 1060, New Zealand

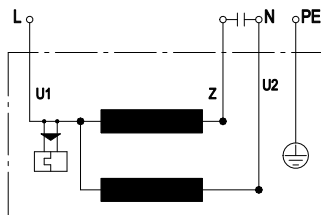


Product drawing



- 1 Accessory part: Inlet nozzle 96359-2-4013, not included in the standard scope of delivery
- 2 Depth of screw max. 6 mm
- 3 Connection line silicone 4G 0.5 mm², 4 x brass lead tips crimped

Connection screen



| | | | | | |
|----|--------------|---|-------|----|-------|
| U1 | blue | Z | brown | U2 | black |
| PE | green/yellow | | | | |

Distributed By:

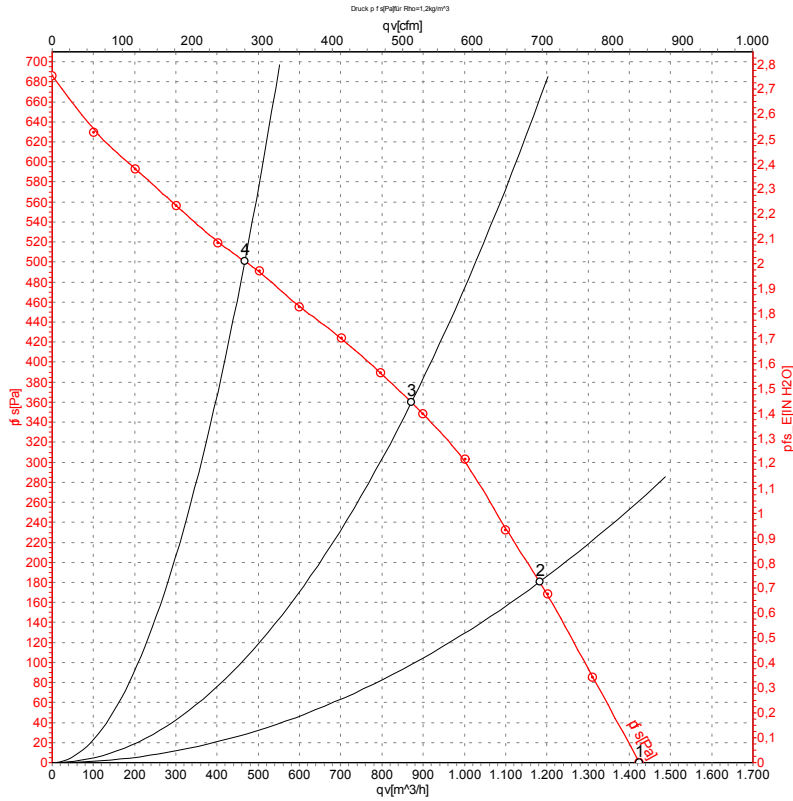


Freephone 0508 634 341 | Fax 09 634 7417

7 Monier Pl, Mt Wellington, Auckland 1060, New Zealand



Charts: Air flow 50 Hz



Air performance measured as per ISO 5801 Installation category A. For detailed information on the measuring set-up, please contact ebm-papst. Suction-side noise levels: LwA measured as per ISO 13347 / LpA measured with 1m distance to fan axis. The values given are valid under the measuring conditions mentioned above and may vary according to the actual installation situation. With any deviation from the standard set-up, the specific values have to be checked and reviewed with the unit installed.

Measured values

| | U | f | n | P _e | I | LpA _{in} | LwA _{in} | qv | p _{fs} |
|---|-----|----|-------------------|----------------|------|-------------------|-------------------|-------------------|-----------------|
| | V | Hz | min ⁻¹ | W | A | dB(A) | dB(A) | m ³ /h | Pa |
| 1 | 230 | 50 | 2630 | 179 | 0.78 | 67 | 75 | 1425 | 0 |
| 2 | 230 | 50 | 2535 | 206 | 0.90 | 62 | 70 | 1180 | 180 |
| 3 | 230 | 50 | 2500 | 210 | 0.93 | 58 | 67 | 870 | 360 |
| 4 | 230 | 50 | 2585 | 189 | 0.83 | 64 | 72 | 465 | 500 |

U = Supply voltage · f = Frequency · n = Speed · P_e = Power input · I = Current draw · LpA_{in} = Sound pressure level inlet side · LwA_{in} = Sound power level inlet side · qv = Air flow
 p_{fs} = Pressure increase

Distributed By:

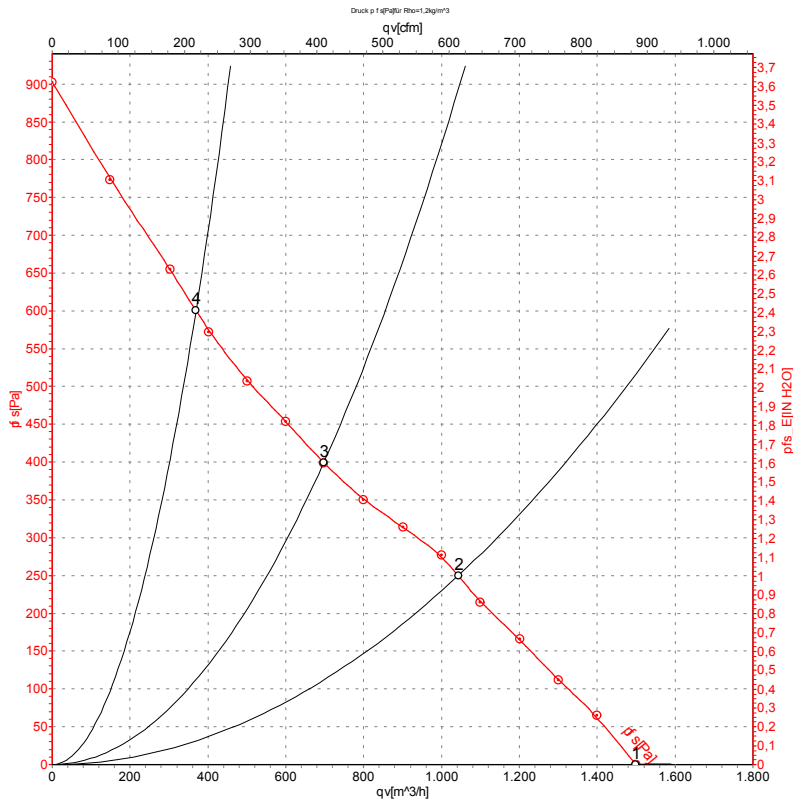


Freephone 0508 634 341 | Fax 09 634 7417

7 Monier Pl, Mt Wellington, Auckland 1060, New Zealand



Charts: Air flow 60 Hz



Air performance measured as per ISO 5801 Installation category A. For detailed information on the measuring set-up, please contact ebm-papst. Suction-side noise levels: LwA measured as per ISO 13347 / LpA measured with 1m distance to fan axis. The values given are valid under the measuring conditions mentioned above and may vary according to the actual installation situation. With any deviation from the standard set-up, the specific values have to be checked and reviewed with the unit installed.

Measured values

| | U | f | n | P _e | I | LpA _{in} | LwA _{in} | qv | p _{fs} |
|---|-----|----|-------------------|----------------|------|-------------------|-------------------|-------------------|-----------------|
| | V | Hz | min ⁻¹ | W | A | dB(A) | dB(A) | m ³ /h | Pa |
| 1 | 230 | 60 | 2775 | 246 | 1.07 | 68 | 77 | 1500 | 0 |
| 2 | 230 | 60 | 2450 | 285 | 1.25 | 61 | 69 | 1045 | 250 |
| 3 | 230 | 60 | 2460 | 272 | 1.19 | 60 | 69 | 700 | 400 |
| 4 | 230 | 60 | 2785 | 246 | 1.06 | 68 | 76 | 370 | 600 |

U = Supply voltage · f = Frequency · n = Speed · P_e = Power input · I = Current draw · LpA_{in} = Sound pressure level inlet side · LwA_{in} = Sound power level inlet side · qv = Air flow
p_{fs} = Pressure increase

Distributed By:



Freephone 0508 634 341 | Fax 09 634 7417

7 Monier Pl, Mt Wellington, Auckland 1060, New Zealand

