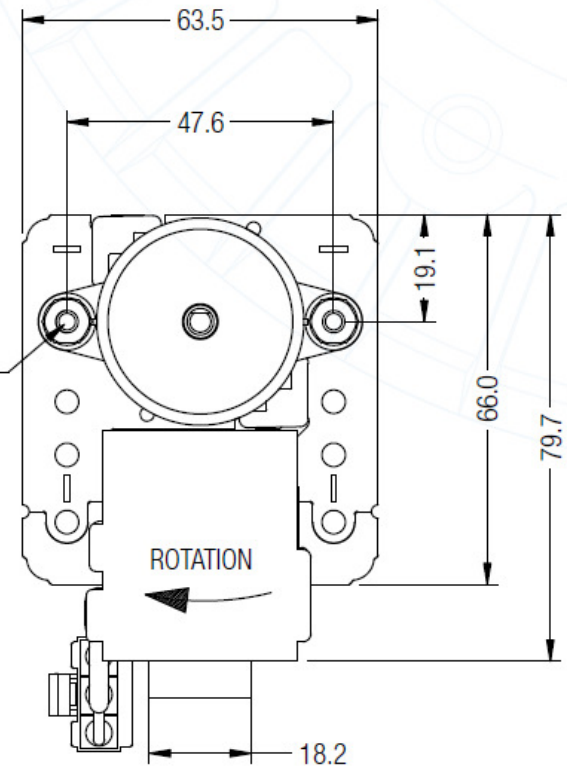


COIL RESISTANCE - 77 OHMS



SUPPLIED LOOSE:-  
 2-OFF NUT 5/32 B.S.W. HX 5/16AF LOCK ZP  
 2-OFF WASHER TOOTH INT 4 DIA. ZP