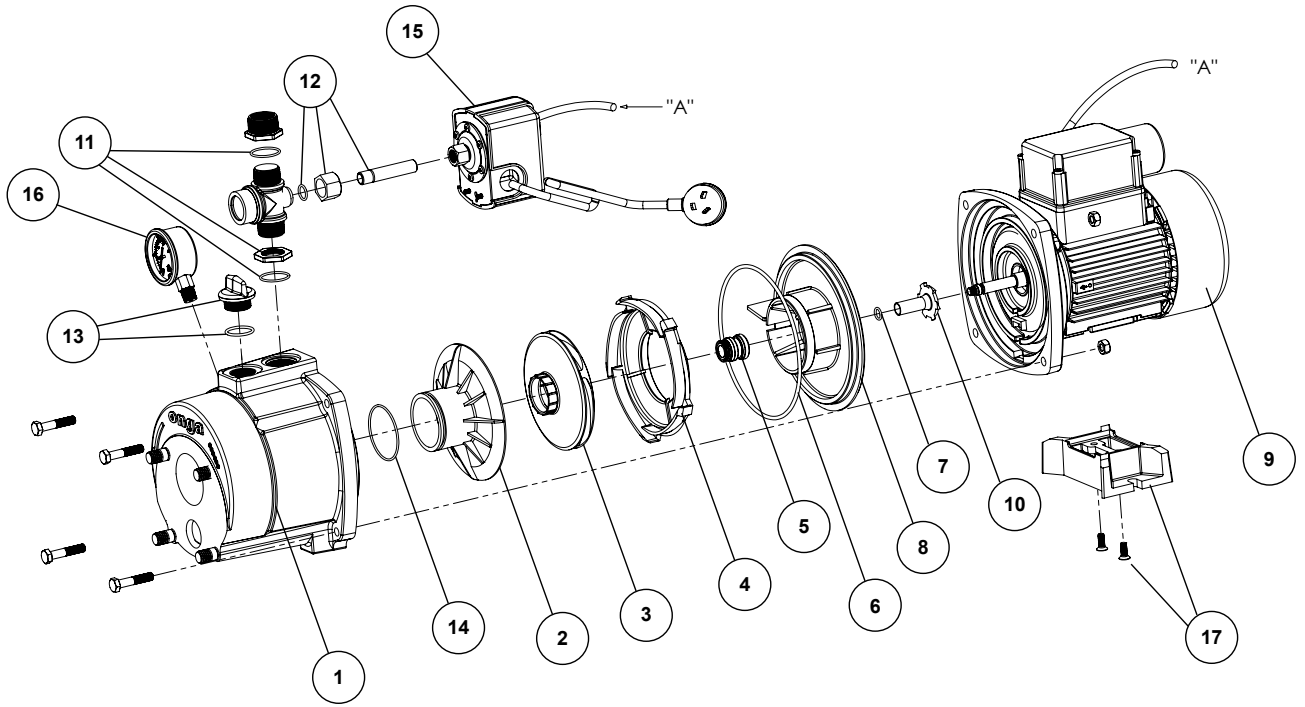
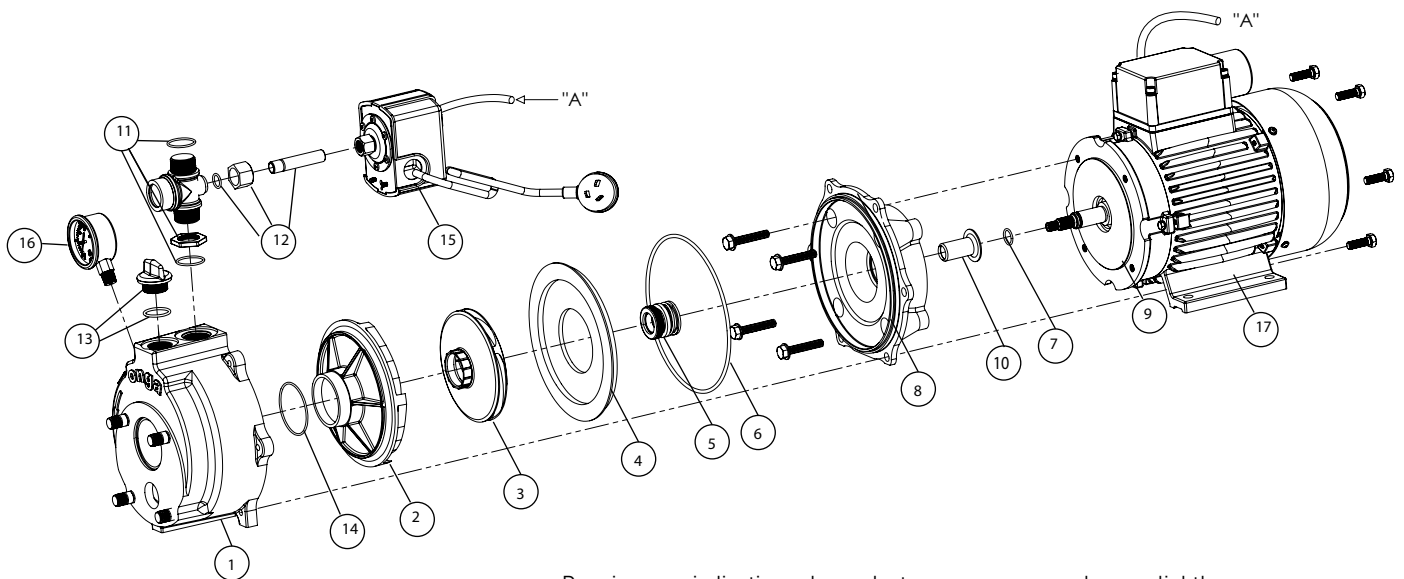


**JJ400 Model**



**JJ600 Model**



Drawings are indicative only, product appearance may change slightly.

**Genuine Onga Spare Parts Supplied By:**



**Freephone 0508 634 341**

**7 Monier Pl, Mt Wellington, Auckland 1060, New Zealand**

# PARTS LIST TABLE

## JJ400 / JJ600 Models

MODEL	JJ400
PART NUMBER	110031

REF NO.	COMPONENT DESCRIPTION	PART NO.	
1	CASING	800560	1PC
2	SEPARATOR PLATE	404611	1PC
3	IMPELLER	504893K	1PC
4	BAFFLE	302190K	1PC
5	SEAL KIT (INC. 5, 6 & 10)	800582K	1PC
5a	SEALS (PK 25)	800901	1PC
6	O-RING CASING	702206K	1PC
7	O-RING SLEEVE	-	-
8	BAFFLE	302060K	1PC
9	MOTOR	800442	1PC
10	SHAFT SLEEVE KIT (7 & 9)	800894K	1PC
11	TEE ASSEMBLY	800277	1PC
12	P/SWITCH MOUNTING ASSY.	801237	1PC
13	PRIMING PLUG & O-RING	800017K	1PC
14	O-RING (PK/5)	70211K	1PC
15	PRESSURE SWITCH	700244	-
16	PRESSURE GAUGE	700240	1PC
17	BASE & SCREW KIT	800258	5PC

MODEL	JJ600
PART NUMBER	110021 (1PH)
	110044 (3PH)

REF NO.	COMPONENT DESCRIPTION	PART NO.	
1	CASING	800002	1PC
2	DIFFUSER	402810K	1PC
3	IMPELLER (1 PHASE)	506333K	1PC
	IMPELLER (3 PHASE)	506339K	1PC
4	BAFFLE	403231	1PC
5	SEAL KIT (INC. 5, 6 & 10)	800890K	1PC
5a	SEALS (PK 25)	800900	1PC
6	O-RING CASING	700206K	1PC
7	O-RING SLEEVE	-	-
8	YOKE	402400GN	1PC
9	MOTOR (1 PHASE)	800445	1PC
	MOTOR (3 PHASE)	800447	1PC
10	SHAFT SLEEVE KIT (7 & 10)	800895K	1PC
11	TEE ASSEMBLY	800277	1PC
12	P/SWITCH MOUNTING ASSY.	801237	1PC
13	PRIMING PLUG & O-RING	800017K	1PC
14	O-RING (PK/5)	702210K	1PC
15	PRESSURE SWITCH	700244	1PC
16	PRESSURE GAUGE	700240	1PC
17	BASE & SCREW KIT	800256	5PC

Genuine Onga Spare Parts Supplied By:



Freephone 0508 634 341

7 Monier Pl, Mt Wellington, Auckland 1060, New Zealand