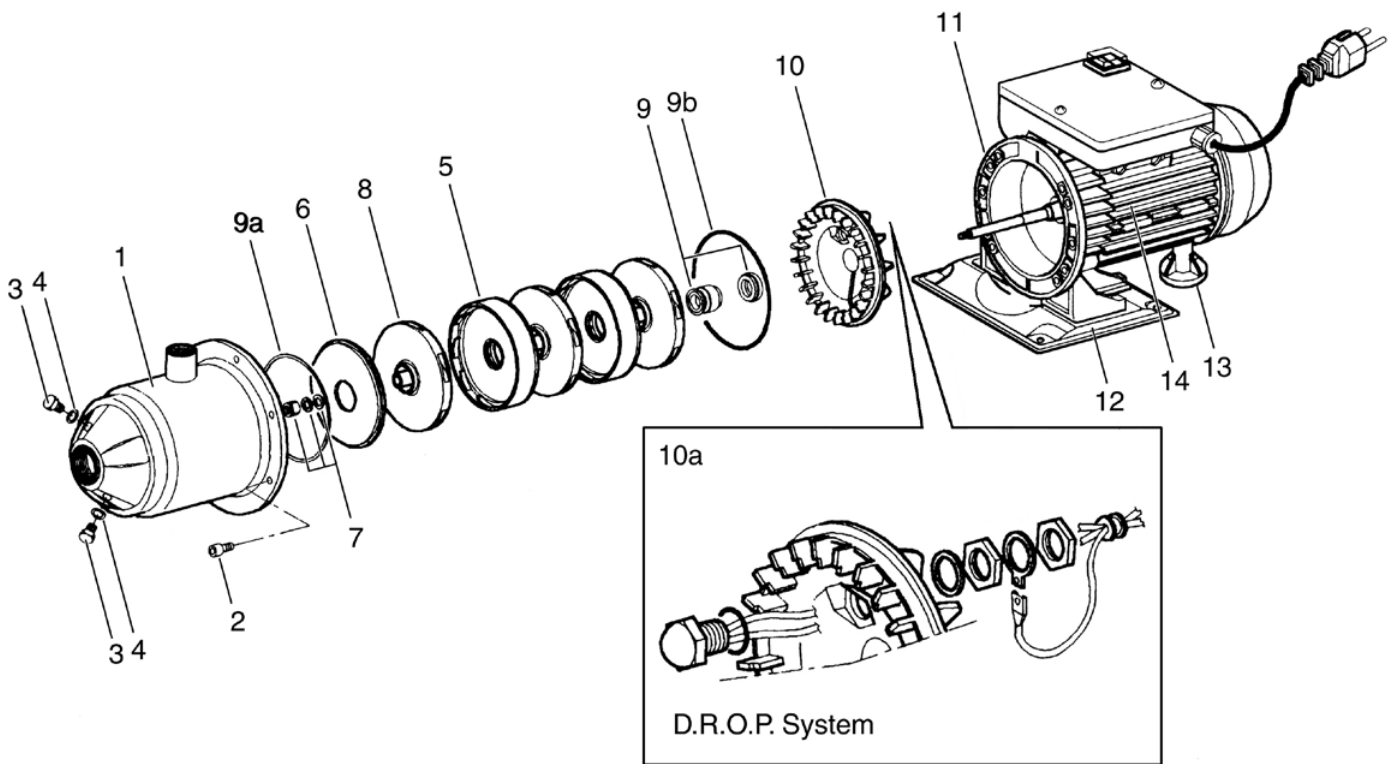


SMH Range Models



Drawings are indicative only, product appearance may change slightly.

Genuine Onga Spare Parts Supplied By:



Freephone 0508 634 341

7 Monier Pl, Mt Wellington, Auckland 1060, New Zealand

PARTS LIST TABLE

SMH Range Models

MODEL		SMH35	SMH45	SMH55	SMH75	SMH90					
PART NUMBER		SMH350	SMH450	SMH550	SMH750	SMH900					
ITEM	DESCRIPTION	PART NUMBER		PART NUMBER		PART NUMBER		PART NUMBER		PART NUMBER	
1	PUMP CASING	723S0530	1PC	723S3200	1PC	723S3200	1PC	723S3200	1PC	723S3190	1PC
2	SCREWS (PK 8)	800907K	1PC	800907K	1PC	800907K	1PC	800907K	1PC	800907K	1PC
3	DRAIN PLUG	121P6090	2PC	121P6090	1PC	121P6090	1PC	121P6090	1PC	121P6090	1PC
4	DRAIN WASHER	121P0090	2PC								
5	DIFFUSER	101P4810	NO. STAGES	101P4810	NO. STAGES	101P4810	NO. STAGES	101P4810	NO. STAGES	101P4810	NO. STAGES
6	DIFFUSER KIT	801385K	1PC	801385K	1PC	801386K	1PC	801386K	1PC	801386K	1PC
7	LOCKNUT & WASHER KIT	800902K	1PC	800902K	1PC	800902K	1PC	800902K	1PC	800902K	1PC
8	IMPELLER	101P2040	NO. STAGES	101P2040	NO. STAGES	101P2040	NO. STAGES	101P2050	NO. STAGES	101P2050	NO. STAGES
9	SEAL KIT	800880K	1PC	800880K	1PC	800880K	1PC	800880K	1PC	800880K	1PC
10	BAFFLE ONLY	101P2980	1PC	-	1PC	-	1PC	-	1PC	-	1PC
10a	BAFFLE WITH DROP SYSTEM	-	1PC	751S2270	1PC	751S2270	1PC	751S2270	1PC	751S2270	1PC
11	BASE	ZB401770	1PC	ZB401770	1PC	ZB401770	1PC	ZB401770	1PC	ZB401770	1PC
12	LEAD & IEC PLUG (NS)	608160	1PC	608160	1PC	608160	1PC	608160	1PC	608160	1PC
13	MOTOR - COMPLETE 0.35kW 1PH	791S1330	1PC	-	1PC	-	1PC	-	1PC	-	1PC
	MOTOR - COMPLETE 0.45kW 1PH		1PC	ZBR04910	1PC	-	1PC	-	1PC	-	1PC
	MOTOR - COMPLETE 0.55kW 1PH		1PC	-	1PC	ZBR04920	1PC	-	1PC	-	1PC
	MOTOR - COMPLETE 0.75kW 1PH		1PC	-	1PC	-	1PC	ZBR04930	1PC	-	1PC
	MOTOR - COMPLETE 0.90kW 1PH		1PC	-	1PC	-	1PC	-	1PC	ZBR04940	1PC

Genuine Onga Spare Parts Supplied By:



Freephone 0508 634 341

7 Monier Pl, Mt Wellington, Auckland 1060, New Zealand