



**FARMING**



## K Series

The Davies Pumps K series are rugged cast iron single impeller pumps with close coupled motor design for simple and reliable operation. Ideal for use in a wide range of applications such pressure systems, wash down, transfer or circulation.

### Pump Features

- Cast Iron Housings
- Single impeller
- Robust and reliable
- Maximum liquid temperature 90 degrees
- Flows up to 300lpm
- Pressure up to 53m

**INDUSTRIAL**



**WATER TRANSFER**

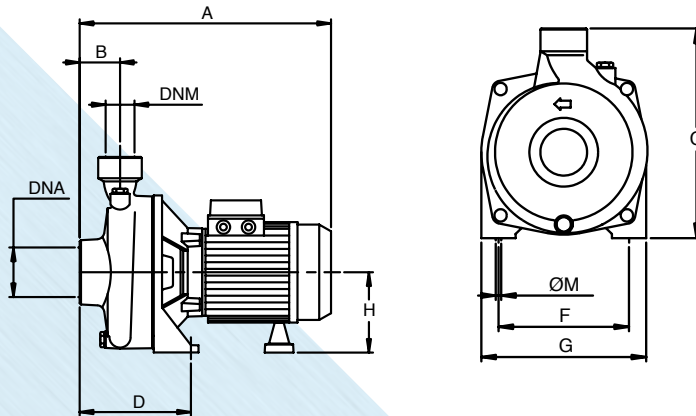
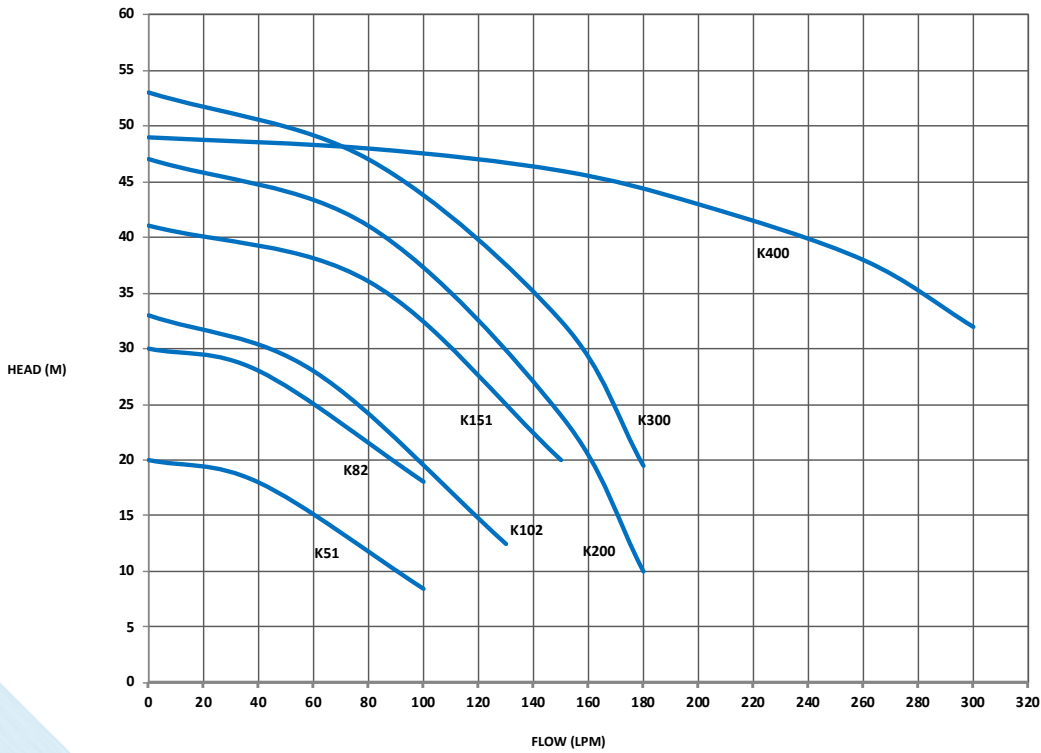


**DAVIES K51-301 SERIES**

Part No.	HP	kW	Volts	Phase	Amps
220-K51M	0.5	0.37	230	1	2.6
220-K51T	0.5	0.37	400	3	1.1
220-K81M	0.8	0.6	230	1	4.8
220-K101M	1.0	0.75	230	1	5.8
220-K101T	1.0	0.75	400	3	2.2
220-K151M	1.5	1.1	230	1	9.0
220-K151T	1.5	1.1	400	3	3.5
220-K200M	2.0	1.47	230	1	12.0
220-K200T	2.0	1.47	400	3	4.8
220-K300M	3.0	2.2	230	1	13.6
220-K300T	3.0	2.2	400	3	5.1
220-K400T	4.0	3.0	415	3	7.8

# K SERIES

K Series



## DIMENSIONS AND SPECIFICATIONS

Model	A	B	C	D	F	G	Ø	H	DNA	DN	Hg
K51	265	45	206	103	124	164	9	85	1"	1"	8.5
K81	283	45	237	105	140	180	9	97	1"	1"	12.5
K101	283	45	237	105	140	180	9	97	1"	1"	14.0
K151	344	47	262	107	149	199	11	110	1 1/4"	1"	20.5
K200	373	52	294	30	160	223	11	118	1 1/4"	1"	26.2
K300	373	52	294	30	160	223	11	118	1 1/4"	1"	25.5
K400	442	57	340	93	200	250	14	150	1 1/2"	1 1/4"	44.5