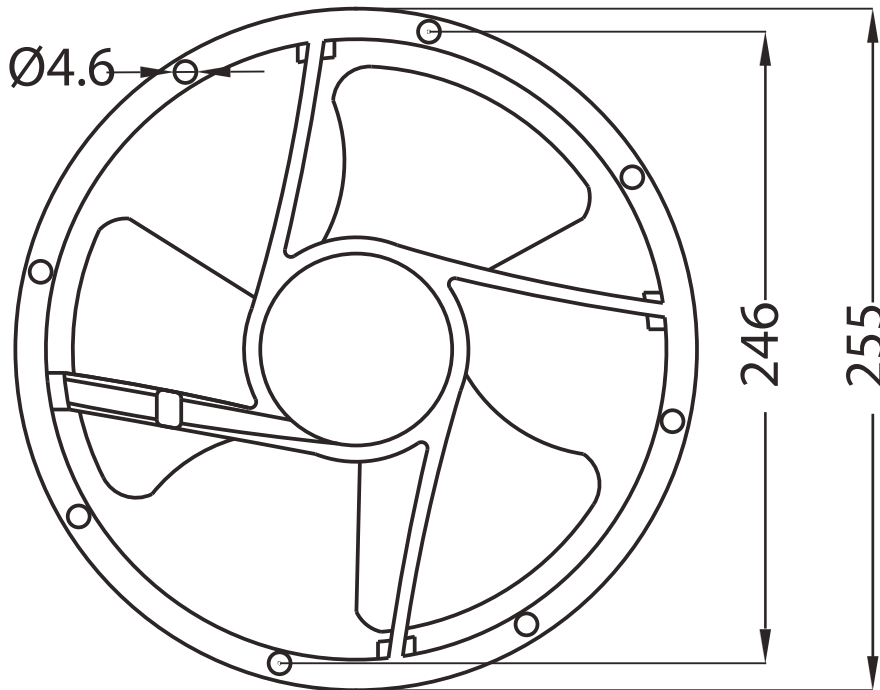


Rotation



Airflow

